

Cnr 3rd Ave & Glasgow St, Tauranga Job 3982 PO Box 2270

OP 3986 OPN 23147

Ph. (07) 577 9895 Fax (07) 578 8249

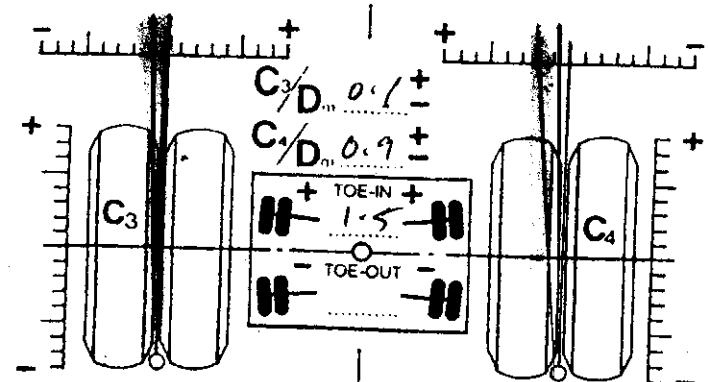
Reg.nr Type 5 AXLE Miles/Km Dat. 8-8-13
 Name Tomell Inv. no. 13082 Sign.

A ₁	135	135
B ₁	132	132
C ₃	$\ominus 3$	$D_m/4.5 =$

CAMBER	
$\oplus 25$	

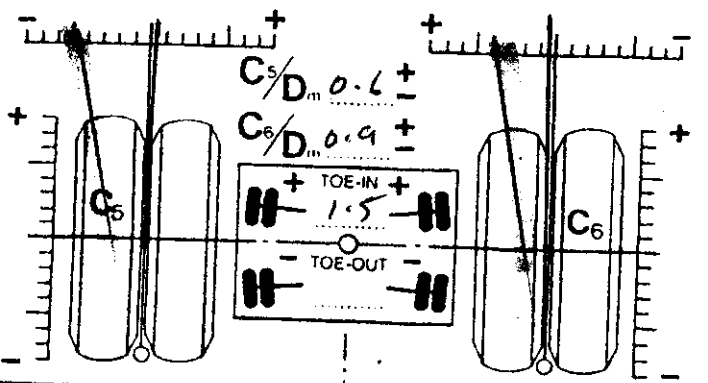
A ₁	136	105
B ₁	133	132
C ₅	$\ominus 3$	$D_m/4.5 =$

CAMBER	
$\oplus 15$	



131	130	A ₂
132	126	B ₂
$\ominus 4$		$D_m/4.5 = 11$
C ₄		

CAMBER	
$\oplus 25$	



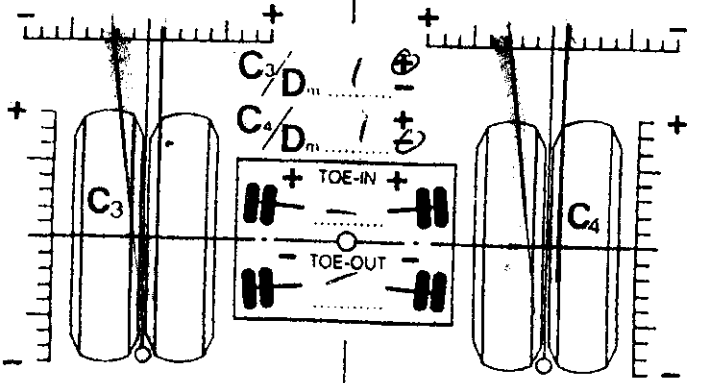
160	172	A ₂
130	128	B ₂
740		$D_m/4.5 = 11$
C ₆		

CAMBER	
$\oplus 30$	



A ₁	165	150
B ₁	159	159
C ₃	$\oplus 6$	$D_m 6 =$

CAMBER	
$\oplus 20$	

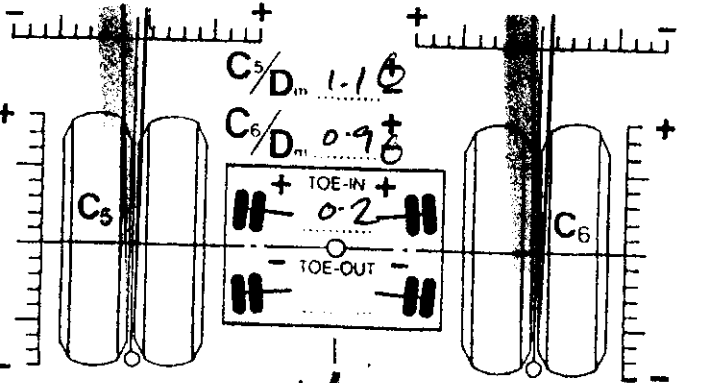


165	150	A ₂
159	156	B ₂
$\oplus 6$		$D_m 6 = 6$
C ₄		

CAMBER	
$\oplus 15$	

A ₁	167	140
B ₁	160	159
C ₅	$\oplus 7$	$D_m 6 =$

CAMBER	
$\oplus 28$	



156	150	A ₂
159	155	B ₂
$\oplus 7$		$D_m 6 = 5$
C ₆		

CAMBER	
$\oplus 25$	

165
159
+6

140
164
-24

+1
-1.5
+0.5

175
156
+19

15
30