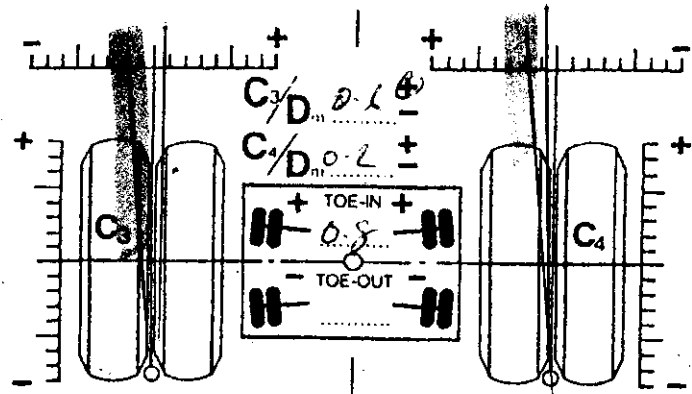


Cnr 3rd Ave & Glasgow St, Tauranga **Job 3947** PO Box 2270
 Ph. (07) 577 9895
 Fax (07) 578 8249

Reg.nr Type 4 Pyle Miles/Km 3947 23116
 Name DOMETT Inv.nr: 2292 Dat. 16-1-13
 Sign.

A1	145	138
B1	141	145
C3	11	Dm 6 =

CAMBER
 +
 -

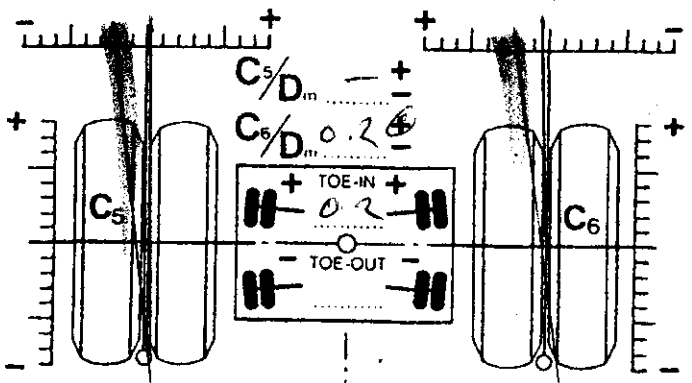


150	A2
148	B2
Dm 6	C4

CAMBER
 +
 -

A1	140	122
B1	140	144
C5	1	Dm 1 =

CAMBER
 +
 -



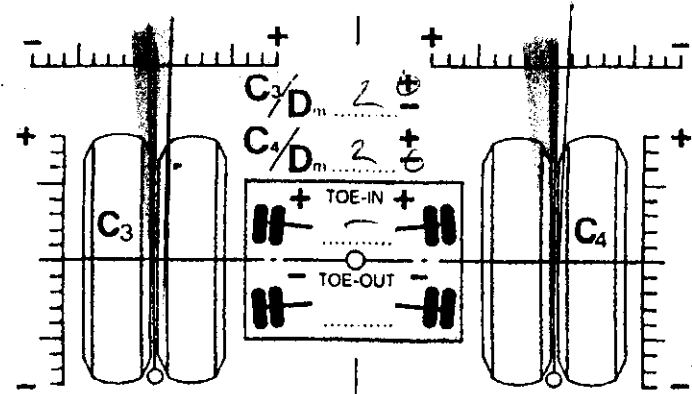
170	A2
152	B2
Dm 6	C6

CAMBER
 +
 -



A1	155	150
B1	143	144
C3	12	Dm 6 =

CAMBER
 +
 -

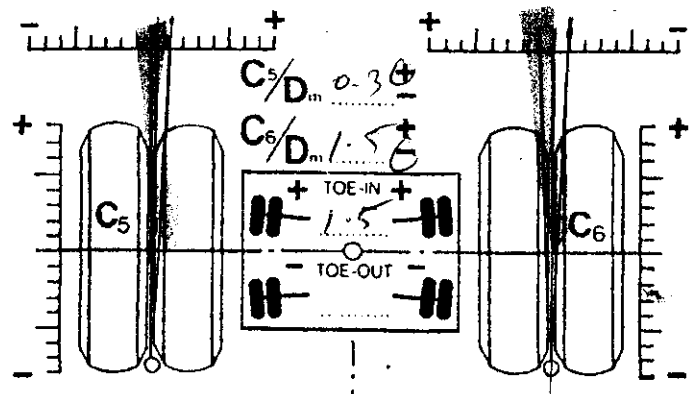


140	A2
132	B2
Dm 6	C4

CAMBER
 +
 -

A1	150	145
B1	142	142
C5	13	Dm 6 =

CAMBER
 +
 -



150	A2
132	B2
Dm 6	C6

CAMBER
 +
 -