

Cnr 3rd Ave & Glasgow St, Tauranga

PO Box 2270

Ph. (07) 577 9895

Fax (07) 578 8249

013933

23109

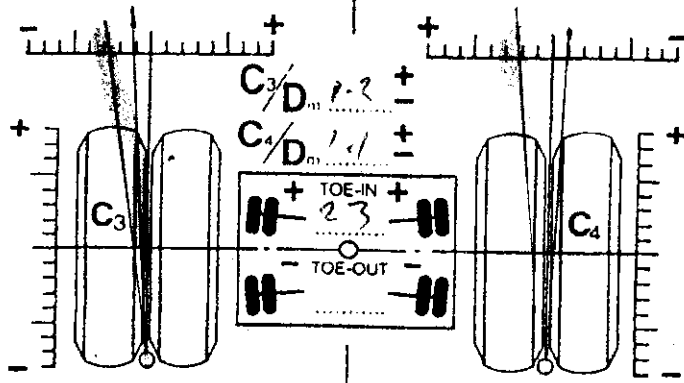
Reg.nr ..... Type Quad Miles/Km ..... Dat. 30-1-13  
 Name DOMETT Inv. no. 12333 Sign. ....

A <sub>1</sub>	157	108
B <sub>1</sub>	178	216
C <sub>3</sub>	± 21 : D <sub>m</sub> 13 =	

CAMBER  
 ⊕ - 25

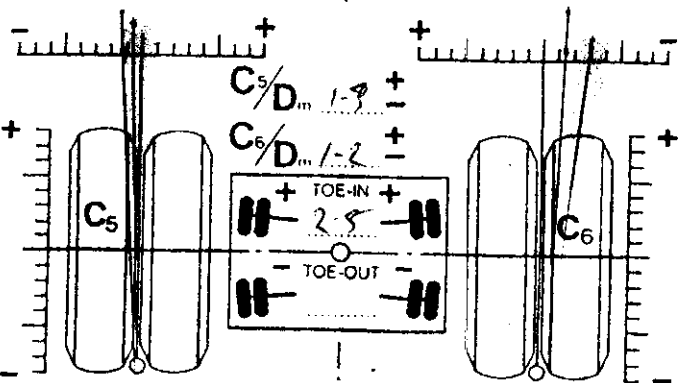
A <sub>1</sub>	160	165
B <sub>1</sub>	179	174
C <sub>5</sub>	± 19 : D <sub>m</sub> 13 =	

CAMBER  
 ⊕ - 15



140	137	A <sub>2</sub>
110	157	B <sub>2</sub>
80	= D <sub>m</sub> 13 : ± 17 C <sub>4</sub>	

CAMBER  
 ⊕ - 25



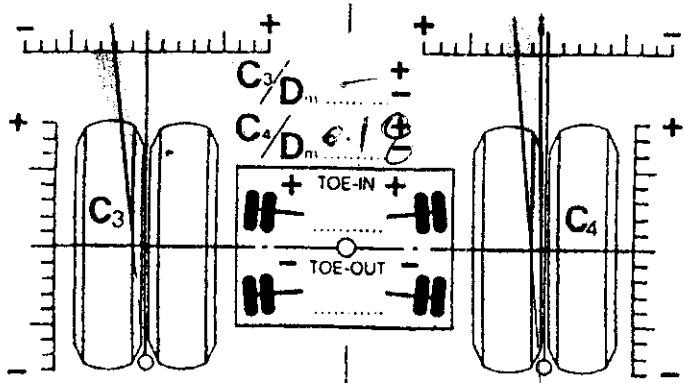
132	175	A <sub>2</sub>
150	150	B <sub>2</sub>
= D <sub>m</sub> 13 : ± 15 C <sub>6</sub>		

CAMBER  
 ⊕ - 25



A <sub>1</sub>	155	188
B <sub>1</sub>	153	153
C <sub>3</sub>	± - : D <sub>m</sub> =	

CAMBER  
 ⊕ - 20

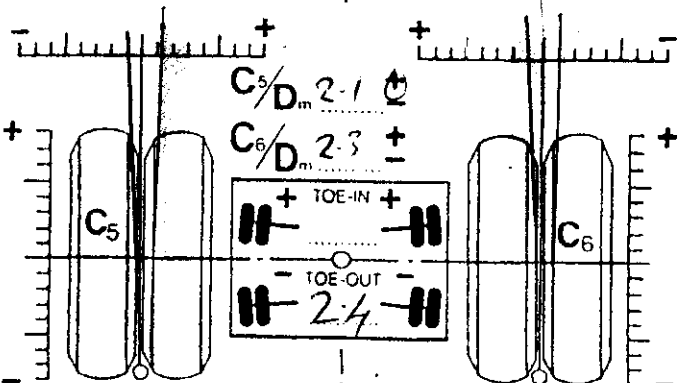


217	150	A <sub>2</sub>
130	149	B <sub>2</sub>
= D <sub>m</sub> : ⊕ - 1 C <sub>4</sub>		

CAMBER  
 ⊕ - 20

A <sub>1</sub>	125	20
B <sub>1</sub>	170	162
C <sub>5</sub>	± 25 : D <sub>m</sub> 13 =	

CAMBER  
 ⊕ - 20



200	126	A <sub>2</sub>
156	155	B <sub>2</sub>
750	= D <sub>m</sub> 13 : ± 29 C <sub>6</sub>	

CAMBER  
 ⊕ - 15

4th axle 4/11  
 Fork clamp Bolt stamped  
 nut to replace