

Cnr 3rd Ave & Glasgow St, Tauranga

Job 3932

PO Box 2270

Ph. (07) 577 9895

Fax (07) 578 8249

23108

or 3932

Date 10-1-13

Reg.nr

Type

Quad

Miles/Km

Sign

Name

Dometts

Inv. nr. 12266

Sign

J. Khan

A ₁	171	134
B ₁	174	165
C ₃	14	22

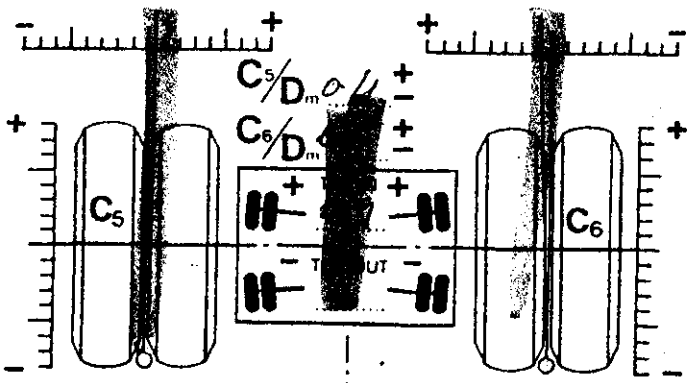
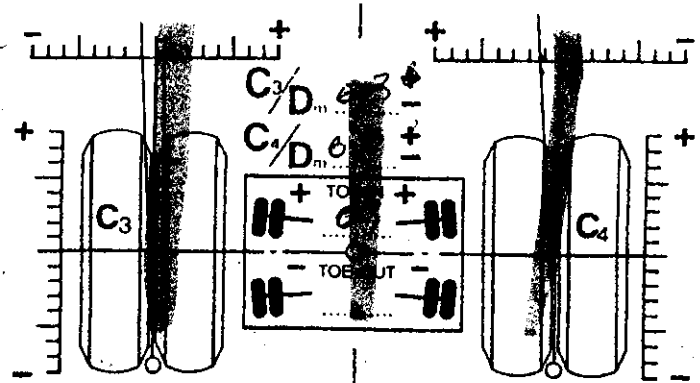
$-D_m 14 =$

CAMBER	
+	-

A ₁	165	162
B ₁	160	160
C ₅	11	23

$-D_m 11 =$

CAMBER	
+	-



A ₂	171	166
B ₂	174	178
C ₄	14	22

$-D_m 14 =$

CAMBER	
+	-

A ₂	167	150
B ₂	171	140
C ₆	11	23

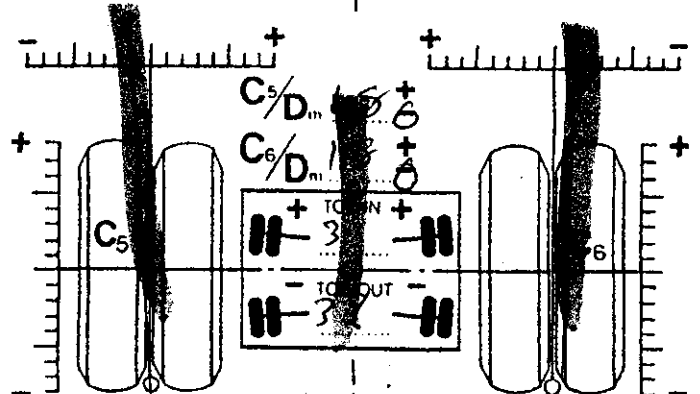
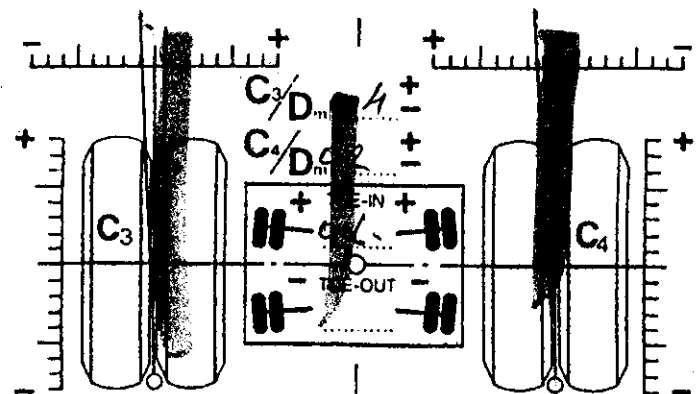
$-D_m 11 =$

CAMBER	
+	-

A ₁	150	165
B ₁	150	165
C ₃	14	25

$-D_m 14 =$

CAMBER	
+	-



A ₂	171	160
B ₂	174	135
C ₄	14	25

$-D_m 14 =$

CAMBER	
+	-

off seal

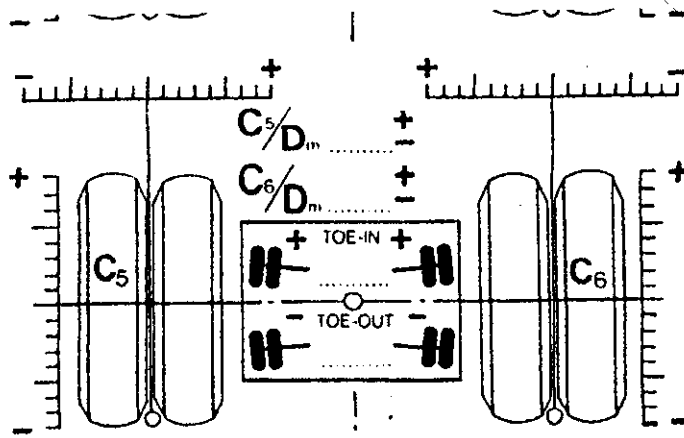
A ₂	170	150
B ₂	155	155
C ₆	11	25

$-D_m 11 =$

CAMBER	
+	-

A ₁	
B ₁	
C ₅	$\frac{+}{-} : D_m =$

CAMBER	
+	
-



	A ₂
	B ₂
$= D_m$	$\frac{+}{-} C_6$

+
-

CAMBER	
+	
-