



TRANSPORT MAINTENANCE

Corner 3rd Avenue & Glasgow Street - PO Box 2270 - Tauranga 3140

Phone: (07) 577 9895

Fax: (07) 578 8249

Email: tmt3@xtra.co.nz

Rear 3 axles only

07/11/2014 O/N 11446
23289

Reg: R746W

Type: 5 axle

Kms:

Date: 25-7-14

Name: Dometts

Inv No: 15065

Sign: [Signature]

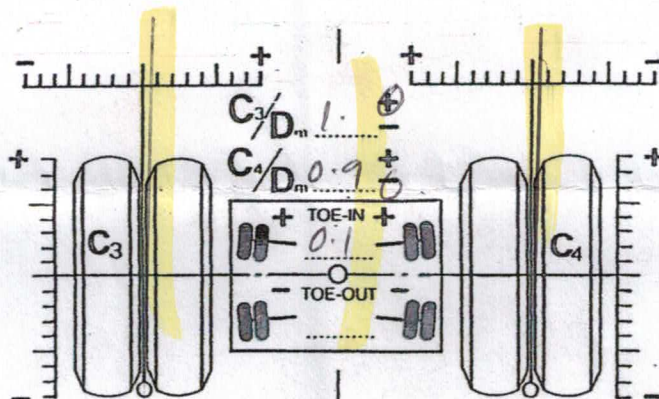
() Measurements before aligning

A1	146
B1	140
C3	+6 :Dm 6 =

CAMBER	
+
-

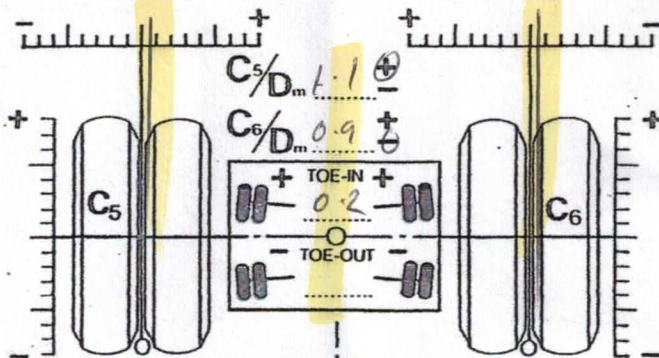
A1	150
B1	143
C5	+7 :Dm 6 =

CAMBER	
+
-



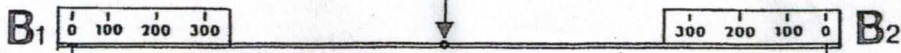
135	A2
140	B2
=Dm 6 : 5	C4

CAMBER	
+
-



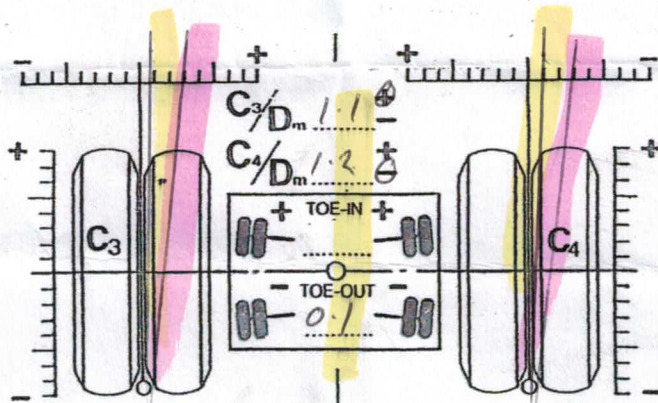
136	A2
141	B2
=Dm 6 : 5	C6

CAMBER	
+
-



A1	151
B1	143
C3	+7 :Dm 6 =

CAMBER	
+
-

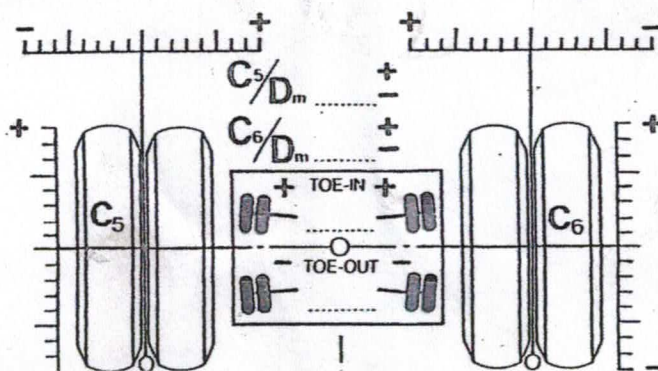


120	A2
140	B2
=20	140
=Dm 6 : 8	C4

CAMBER	
+
-

A1	
B1	
C5	+ :Dm =

CAMBER	
+
-



	A2
	B2
=Dm : +	C6

CAMBER	
+
-