

Transport Maintenance (3rd Ave) Ltd.

Cnr 3rd Ave & Glasgow St, Tauranga

PO Box 2270

Ph. (07) 577 9895

Fax (07) 578 8249

() measurements before aligning.

3357 # 859

Reg.nr _____ Type 4x4 Miles/Km _____ Dat 21-1-10

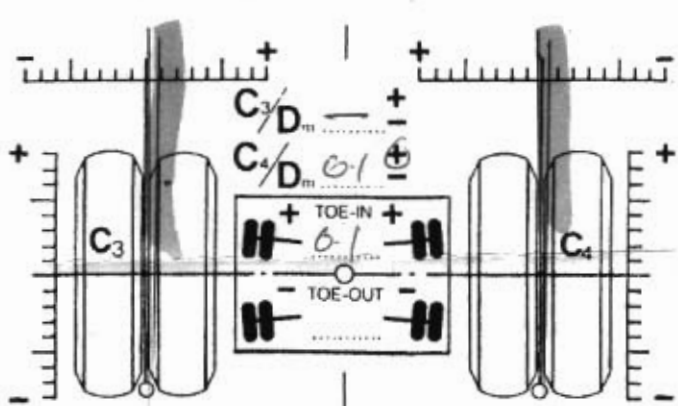
Name Domett Inv. no. 95901 Sign. _____

A ₁	201	203
B ₁	201	200
C ₃	+ - :D _m 5 =	

CAMBER	
+	15
-	

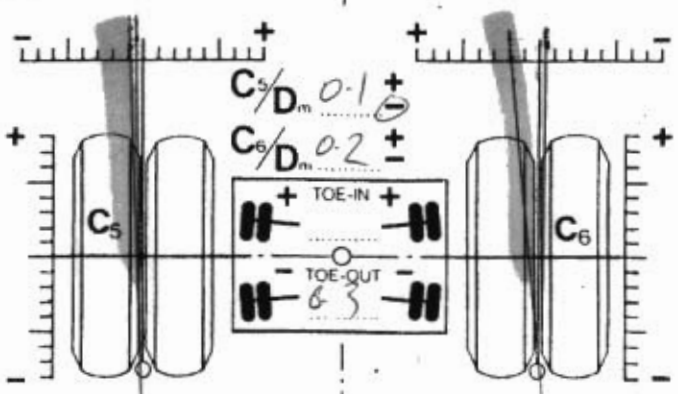
A ₁	198	191
B ₁	199	200
C ₅	+ 1 :D _m 5 =	

CAMBER	
+	20
-	



190	191	A ₂
190	190	B ₂
-2	-D _m 5 : 2 / C ₄	

CAMBER	
+	25
-	



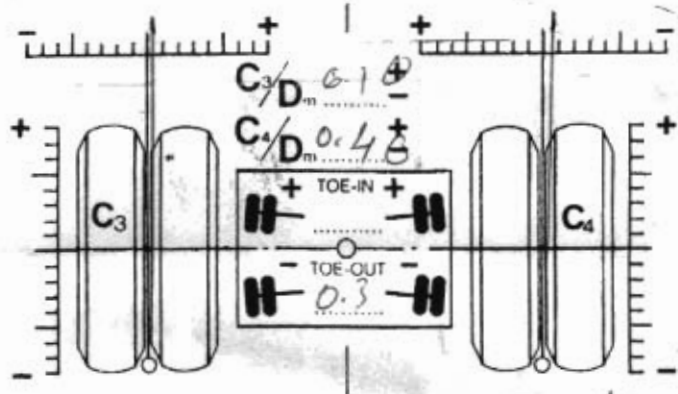
194	193	A ₂
194	195	B ₂
-3	-D _m 5 : 2 / C ₆	

CAMBER	
+	20
-	



A ₁	200	200
B ₁	199	199
C ₃	+ + :D _m 7 =	

CAMBER	
+	20
-	

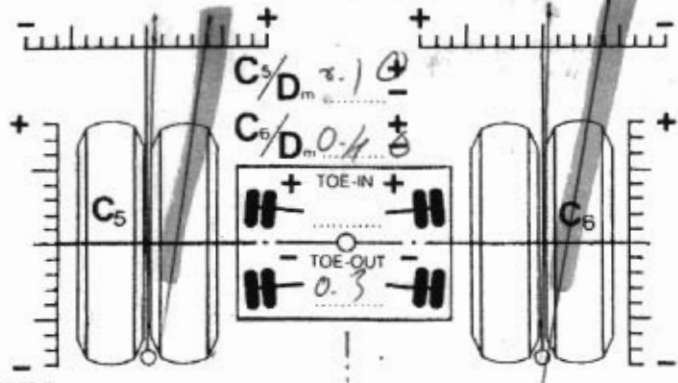


190	190	A ₂
195	195	B ₂
-3	-D _m 7 : 5 / C ₄	

CAMBER	
+	18
-	

A ₁	199	228
B ₁	198	190
C ₅	+ 1 :D _m 7 =	

CAMBER	
+	15
-	



116	194	A ₂
206	199	B ₂
-40	-D _m 7 : 5 / C ₆	

CAMBER	
+	25
-	