

Transport Maintenance (3rd Ave) Ltd.

Order no. 3354

Cnr 3rd Ave & Glasgow St, Tauranga

PO Box 2270

Ph. (07) 577 9895

Fax (07) 578 8249

() measurements before aligning.

Chassis 23858

Date 08/01/10

Reg.nr

Type SAF

Miles/Km

Date

Name Dometts

Inv. no. 95838

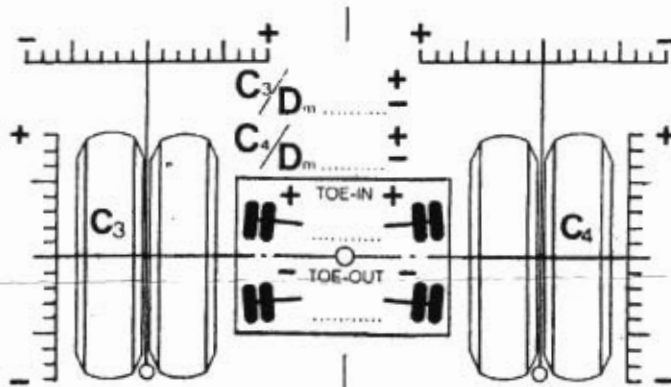
Sign. J. J. J.

A ₁	147	150
B ₁	145	142
C ₃	+2	:D _m 5 =

CAMBER	
+15'	-

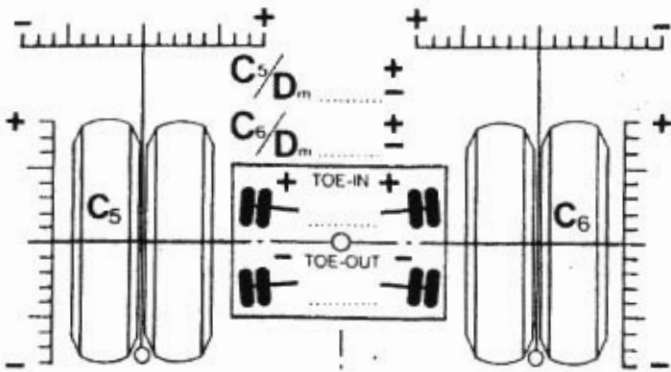
A ₁	145	150
B ₁	141	140
C ₅	+4	:D _m 5 =

CAMBER	
+15'	-



138	141	A ₂
142	139	B ₂
-4	-D _m 5	:C ₂ C ₄

CAMBER	
+15'	-



140	145	A ₂
144	141	B ₂
-4	-D _m 5	:+4 C ₆

CAMBER	
+20'	-

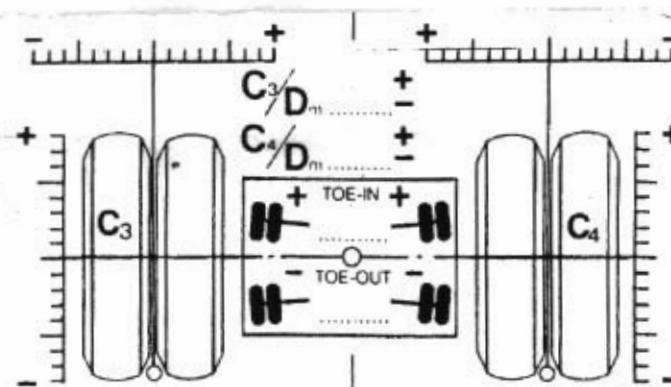


A ₁	147	148
B ₁	145	142
C ₃	+2	:D _m 5 =

CAMBER	
+20'	-

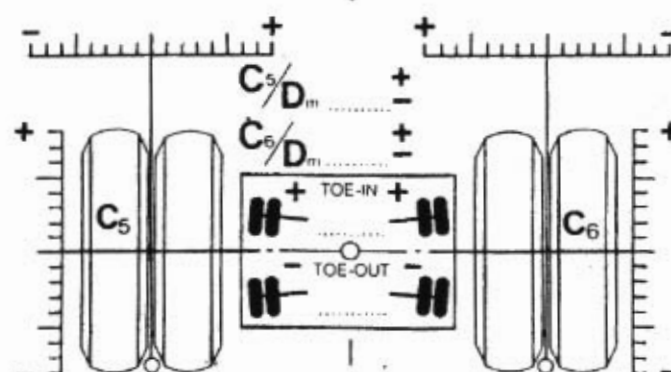
A ₁	147
B ₁	145
C ₅	+2

CAMBER	
+15'	-



138	140	A ₂
145	142	B ₂
-7	-D _m 5	:C ₂ C ₄

CAMBER	
+20'	-



140	A ₂
139	B ₂
-D _m 5	:C ₁ C ₆

CAMBER	
+15'	-