

TRUCK STEERING SERVICES (2006) LTD

JOSAM

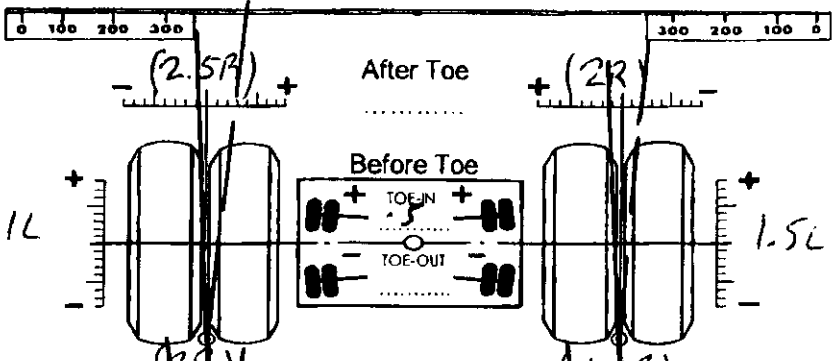
NAME: Donnell Trailers JOB NO: 1178 DATE: 8-9-2011 SIGNED: T.S.
 REG NO: - TYPE: 4 Axle tractor Trailer KMS: - HUBO: -

Camber

Before	After
+ 0.04	+
- 0.04	-

TYRE WEAR

New
-----	-------



Camber

Before	After
+ 0.02	+
- 0.02	-

TYRE WEAR

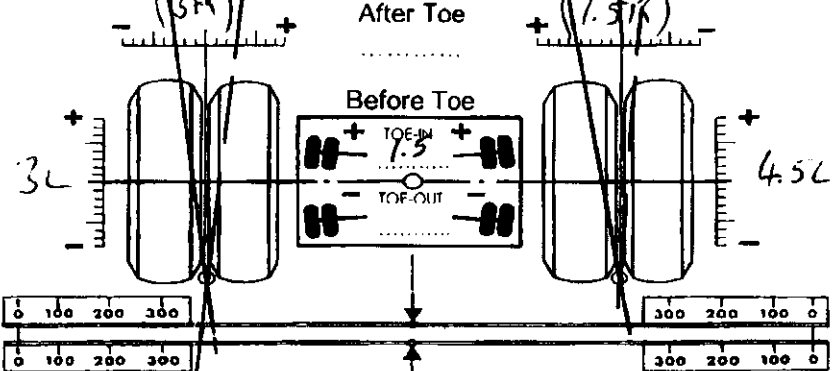
.....	New
-------	-----

Camber

Before	After
+ 0.05	+
- 0.05	-

TYRE WEAR

New
-----	-------



Camber

Before	After
+ 0.04	+
- 0.04	-

TYRE WEAR

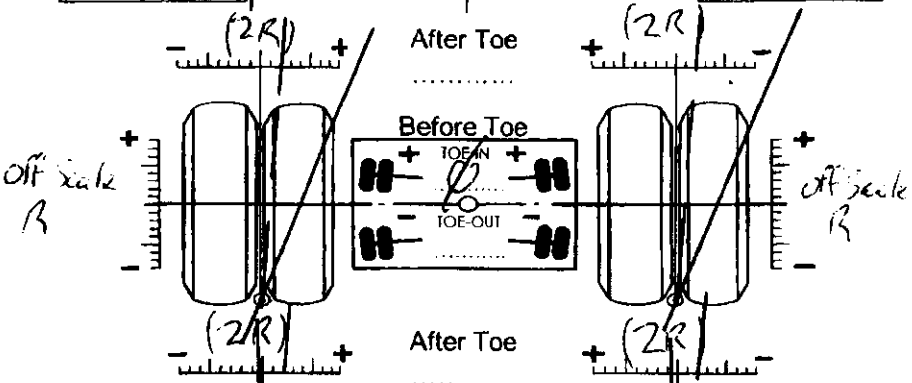
.....	New
-------	-----

Camber

Before	After
+ 0.10	+
- 0.10	-

TYRE WEAR

Even
------	-------



Camber

Before	After
+ 0.25	+
- 0.25	-

TYRE WEAR

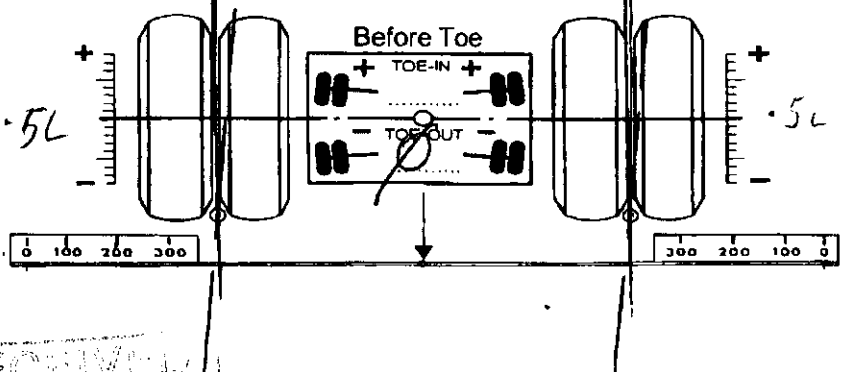
.....	Even
-------	------

Camber

Before	After
+ 0.10	+
- 0.10	-

TYRE WEAR

Even
------	-------



Camber

Before	After
+ 0.05	+
- 0.05	-

TYRE WEAR

.....	Even
-------	------

RECEIVED
15 SEP 2011