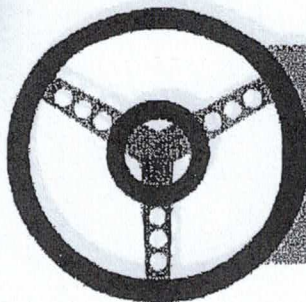


4185



# TRUCK STEERING SERVICES (2006) LTD

59 Aviation Avenue, Mount Maunganui 3114  
 PO Box 4215, Mount Maunganui 3149  
 Ph: 07 572 2450 or 027 282 8660  
 trucksteering@xtra.co.nz



NAME: Dometts JOB NO: 2479 DATE: 31.7.14 SIGNED: L.C.  
 REG NO: Ne TYPE: 5 axle truck KMS: ..... HUBO: .....

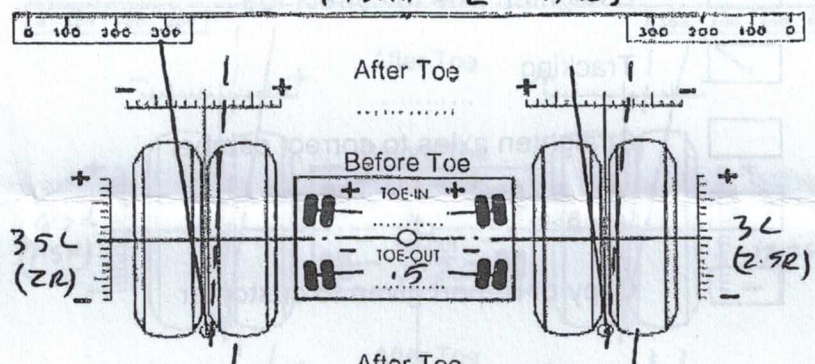
## Front 2 axles

**Camber**

Before	After
+ .03	+ .....
- .....	- .....

TYRE WEAR

.....	.....
-------	-------



**Camber**

Before	After
+ .02	+ .....
- .....	- .....

TYRE WEAR

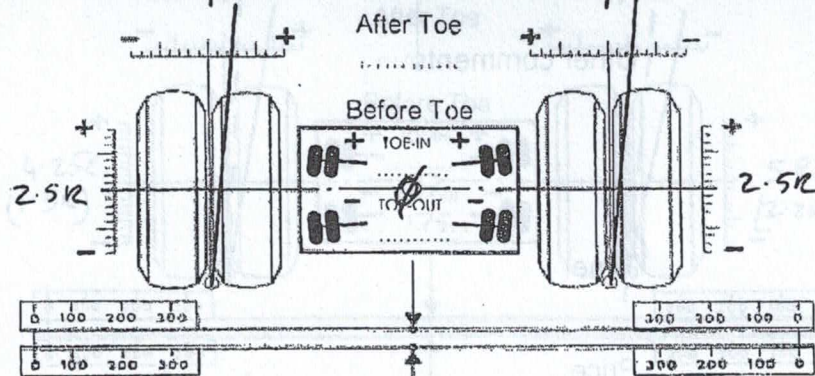
.....	.....
-------	-------

**Camber**

Before	After
+ .20	+ .....
- .....	- .....

TYRE WEAR

.....	.....
-------	-------



**Camber**

Before	After
+ .07	+ .....
- .....	- .....

TYRE WEAR

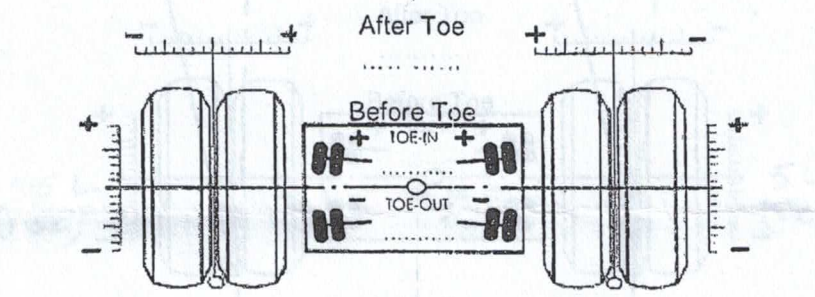
.....	.....
-------	-------

**Camber**

Before	After
+ .....	+ .....
- .....	- .....

TYRE WEAR

.....	.....
-------	-------



**Camber**

Before	After
+ .....	+ .....
- .....	- .....

TYRE WEAR

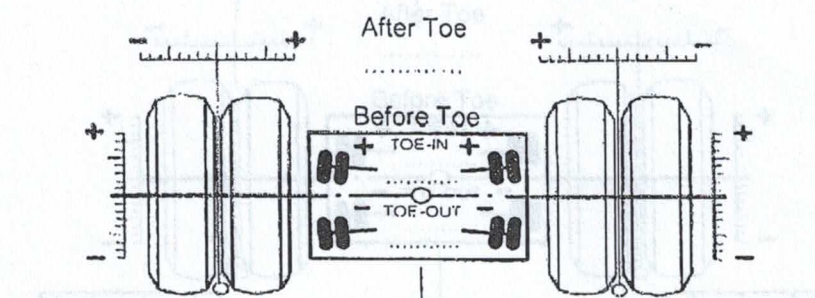
.....	.....
-------	-------

**Camber**

Before	After
+ .....	+ .....
- .....	- .....

TYRE WEAR

.....	.....
-------	-------



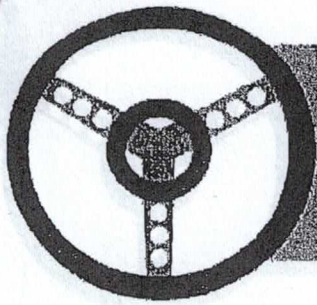
**Camber**

Before	After
+ .....	+ .....
- .....	- .....

TYRE WEAR

.....	.....
-------	-------





# TRUCK STEERING SERVICES (2006) LTD

59 Aviation Avenue - Mount Maunganui 3116  
 PO Box 4215, Mount Maunganui 3149  
 Ph: 07 572 2450 or 027 282 8440  
 trucksteering@xtra.co.nz



NAME: Dometts JOB NO: 2479 DATE: 31.7.14 SIGNED: LC  
 REG NO: ✓ TYPE: 5 axle tanker KMS: \_\_\_\_\_ HUBO: New

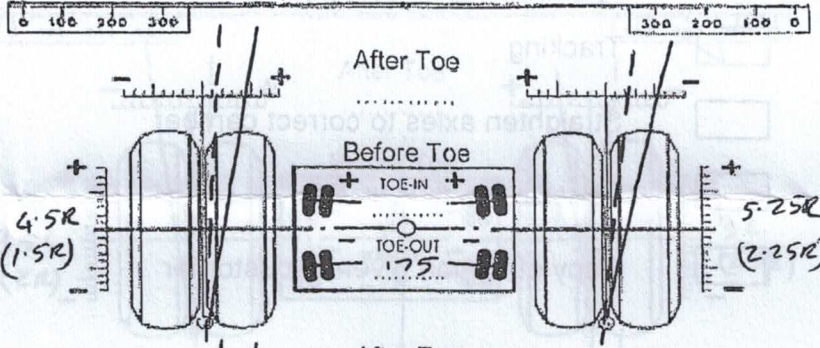
## Rear 3 axles

**Camber**

Before	After
+ .12	+ .....

TYRE WEAR

✓	.....
---	-------



**Camber**

Before	After
+ .15	+ .....

TYRE WEAR

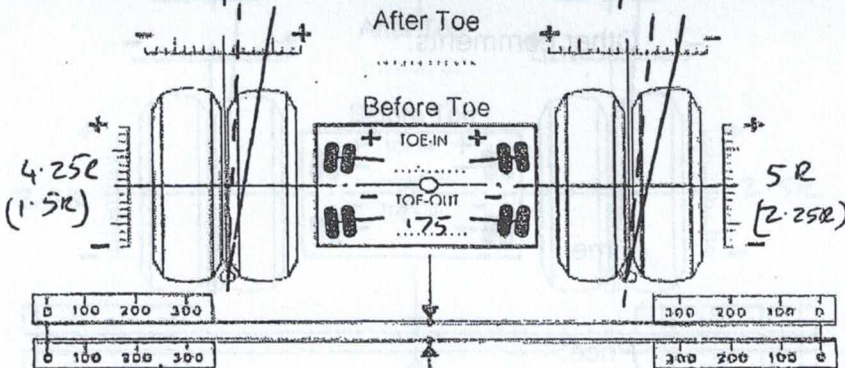
.....	.....
-------	-------

**Camber**

Before	After
+ .05	+ .....

TYRE WEAR

✓	.....
---	-------



**Camber**

Before	After
+ .05	+ .....

TYRE WEAR

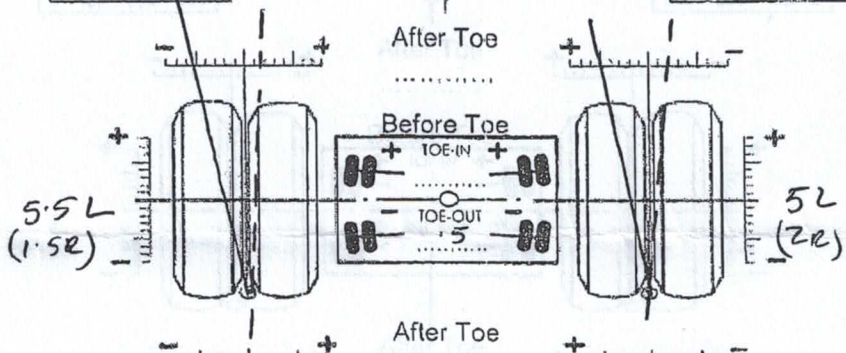
.....	.....
-------	-------

**Camber**

Before	After
+ .10	+ .....

TYRE WEAR

✓	.....
---	-------



**Camber**

Before	After
+ .05	+ .....

TYRE WEAR

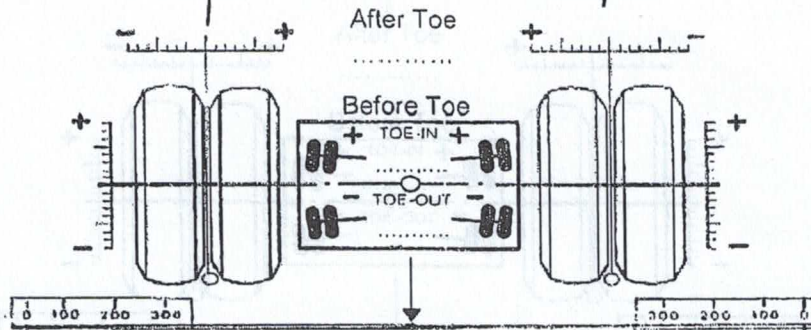
.....	.....
-------	-------

**Camber**

Before	After
+ .....	+ .....

TYRE WEAR

.....	.....
-------	-------



**Camber**

Before	After
+ .....	+ .....

TYRE WEAR

.....	.....
-------	-------