

TRUCK STEERING SERVICES (2006) LTD

59 Avallan Avenue, Mount Maunganui 3114
 PO Box 4215, Mount Maunganui 3149
 Ph: 07 572 2450 or 027 282 8660
 trucksteering@xtra.co.nz

Job 4180

NAME: DOMETTE JOB NO: 2439 DATE: 7-7-14 SIGNED: RJ
 REG NO: NEW TYPE: 5 AXLE TRAILER KMS: HUBO: NEW
(1.5R) TANKER (1R)

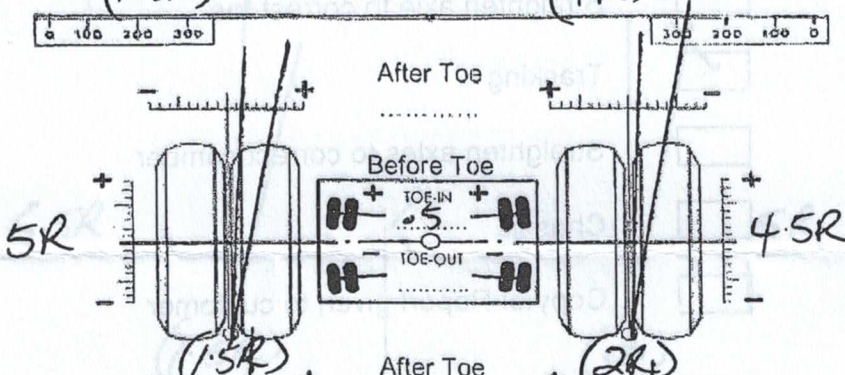


Camber

Before	After
0.00	+
-

TYRE WEAR

INNER	/
-------	---



Camber

Before	After
0.10	+
-

TYRE WEAR

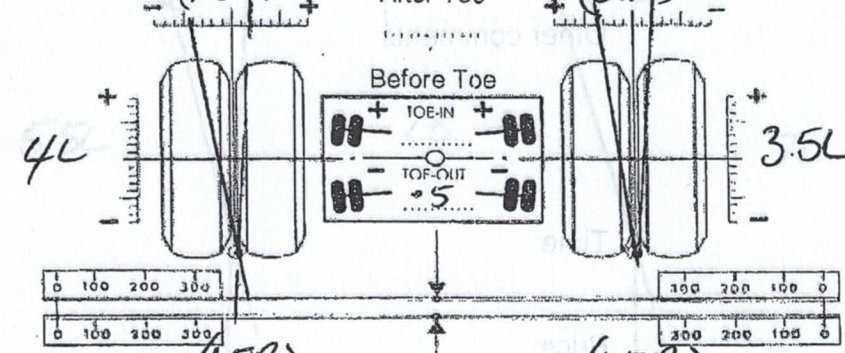
OUTER	/
-------	---

Camber

Before	After
0.10	+
-

TYRE WEAR

OUTER	/
-------	---



Camber

Before	After
+	+
-

TYRE WEAR

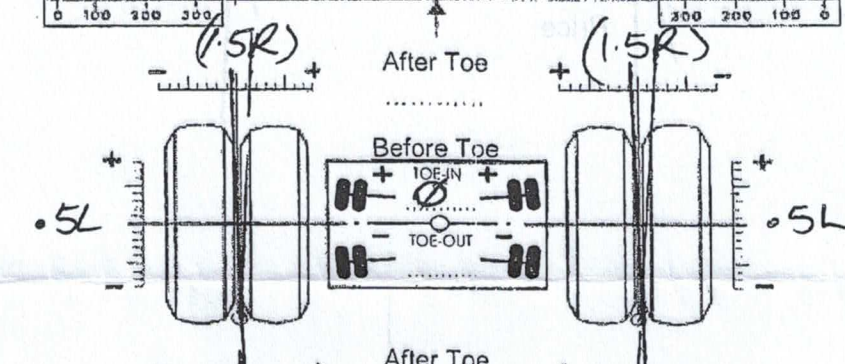
OUTER	EVEN
-------	------

Camber

Before	After
0.00	+
-

TYRE WEAR

OUTER	/
-------	---



Camber

Before	After
0.00	+
-

TYRE WEAR

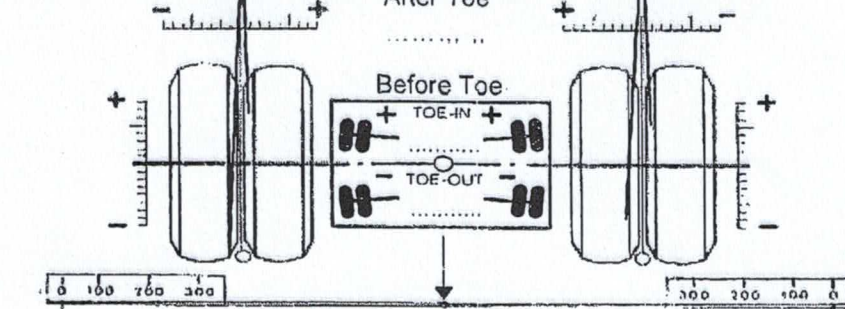
/	EVEN
---	------

Camber

Before	After
+	+
-

TYRE WEAR

.....
-------	-------

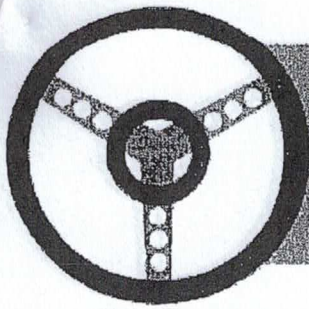


Camber

Before	After
+	+
-

TYRE WEAR

.....
-------	-------



TRUCK STEERING SERVICES (2006) LTD

59 Aytollon Avenue, Mount Maunganui 3116
 PO Box 4215, Mount Maunganui 3148
 Ph: 07 572 2450 or 027 282 8660
 trucksteering@xttra.co.nz

Job 4180

NAME: DOMETTS JOB NO: 2439 DATE: 7-7-14 SIGNED: RT
 REG NO: NEW TYPE: SAVIE TRAILER KMS: HUBO: NEW
(1.5R) TANKER (0)



Camber

Before	After
+0.10	+
-	-

TYRE WEAR

	INNER
--	-------

Camber

Before	After
+0.03	+
-	-

TYRE WEAR

	EVEN
--	------

Camber

Before	After
+	+
-	-

TYRE WEAR

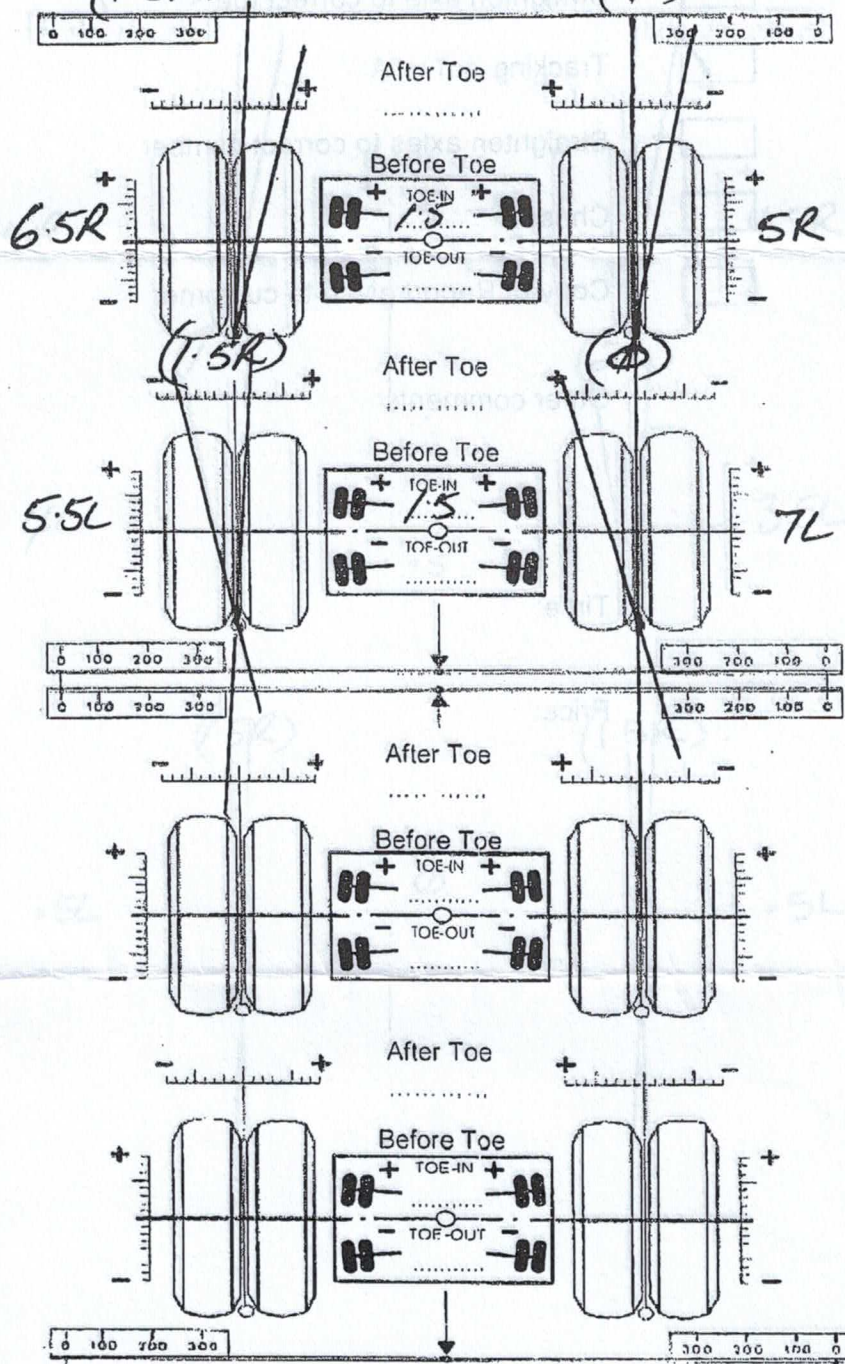
.....
-------	-------

Camber

Before	After
+	+
-	-

TYRE WEAR

.....
-------	-------



Camber

Before	After
+0.18	+
-	-

TYRE WEAR

	OUTER
--	-------

Camber

Before	After
+0.08	+
-	-

TYRE WEAR

	EVEN
--	------

Camber

Before	After
+	+
-	-

TYRE WEAR

.....
-------	-------

Camber

Before	After
+	+
-	-

TYRE WEAR

.....
-------	-------