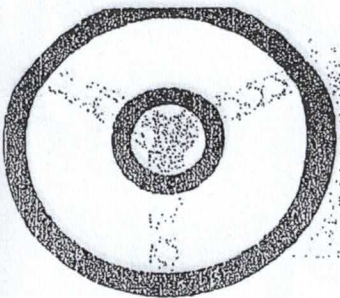
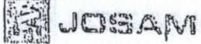


4774



TRUCK STEERING SERVICES (2006) LTD

59 Aviation Avenue, Mount Maunganui 3116
PO Box 4215, Mount Maunganui 3149
PH: 07 572 2450 or 027 282 8660
trucksteering@xtra.co.nz



AME: Dome Hs JOB NO: 2422 DATE: 25.6.14 SIGNED: LC
EG NO: Le-ferb TYPE: Fonterra 5 axle KMS: - HUBO: -

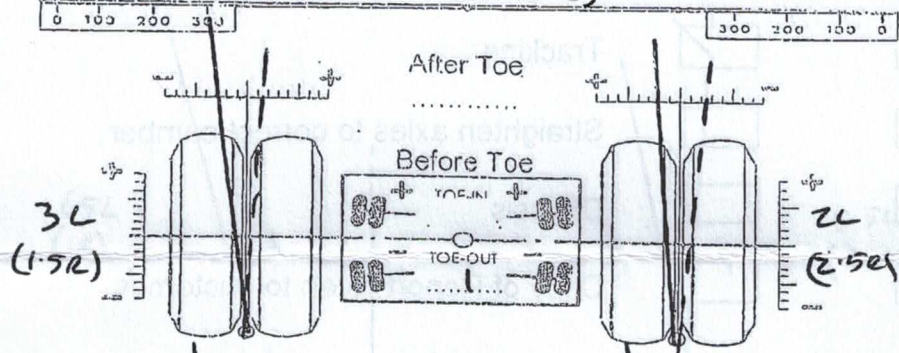
Front 2 axles

Camber

Before	After
0.03	0.03

TYRE WEAR

--	--



Camber

Before	After
0.06	0.06

TYRE WEAR

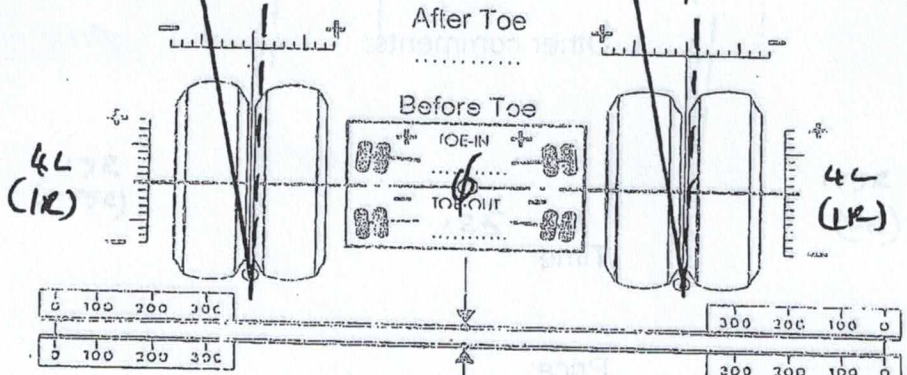
--	--

Camber

Before	After
0.07	0.07

TYRE WEAR

--	--



Camber

Before	After
0.13	0.13

TYRE WEAR

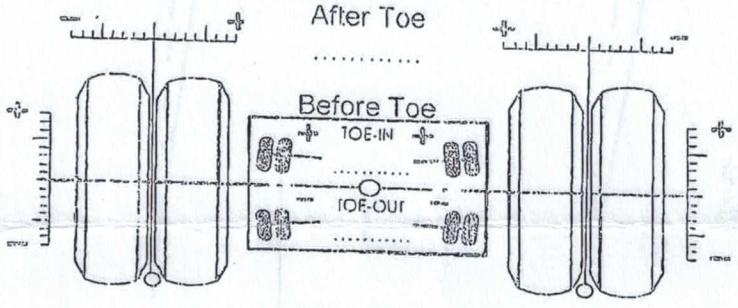
--	--

Camber

Before	After
0.07	0.07

TYRE WEAR

--	--



Camber

Before	After
0.07	0.07

TYRE WEAR

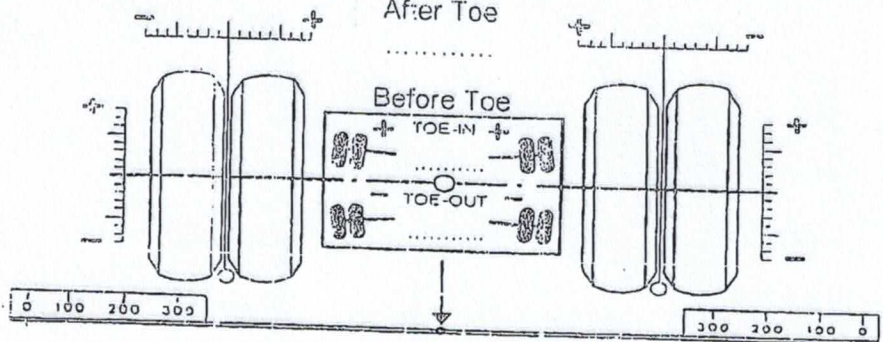
--	--

Camber

Before	After
0.07	0.07

TYRE WEAR

--	--

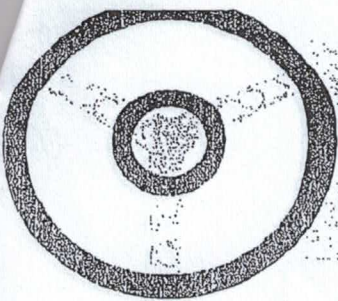


Camber

Before	After
0.07	0.07

TYRE WEAR

--	--



TRUCK STEERING SERVICES (2006) LTD

59 Aviation Avenue, Mount Maunganui 3116
PO Box 4215, Mount Maunganui 3149
Ph: 07 572 2450 or 027 282 8660
trucksteering@xtra.co.nz

4174

JOSAM

AME: Dometts JOB NO: 2422 DATE: 25.6.14 SIGNED: CC

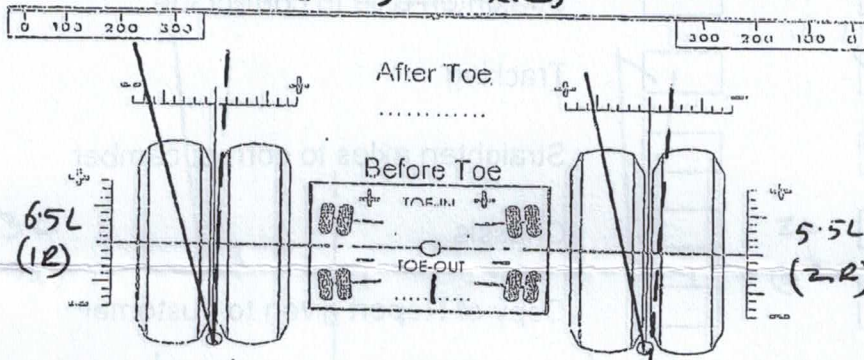
EG NO: TYPE: Forderra 5 axle KMS: HUBO: Per-fab

Rear 3 axles

Camber

Before	After
.05	

TYRE WEAR



Camber

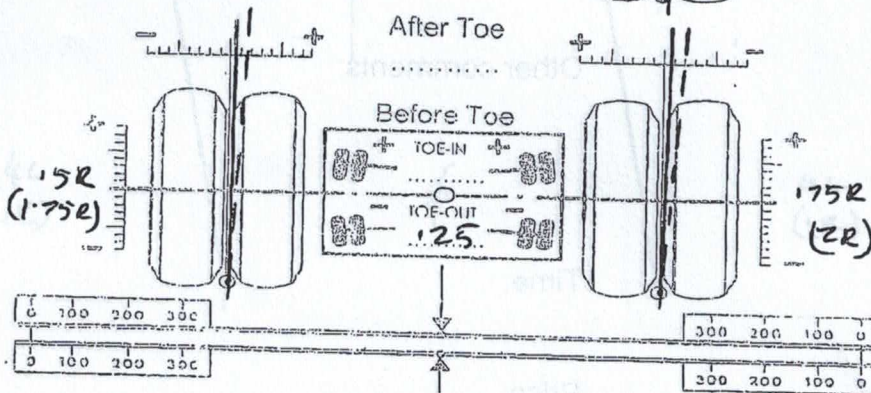
Before	After
.07	

TYRE WEAR

Camber

Before	After
.03	

TYRE WEAR



Camber

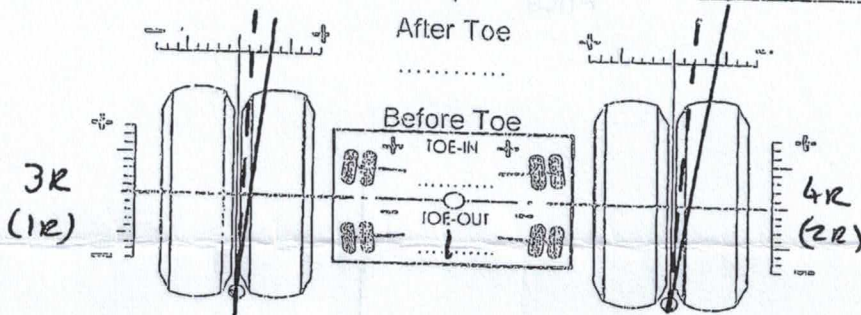
Before	After
φ	

TYRE WEAR

Camber

Before	After
.13	

TYRE WEAR



Camber

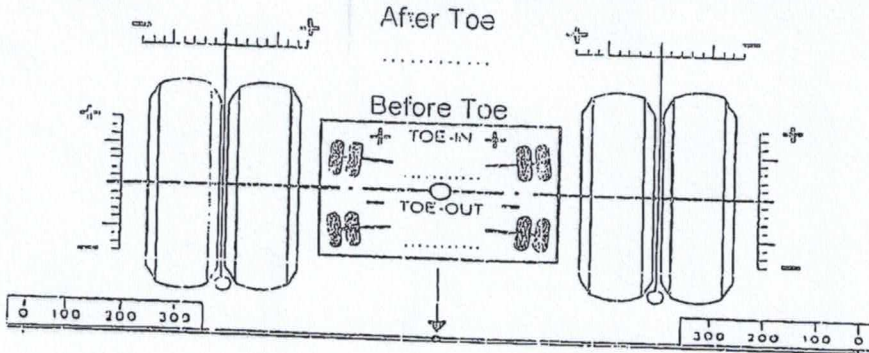
Before	After
.07	

TYRE WEAR

Camber

Before	After

TYRE WEAR



Camber

Before	After

TYRE WEAR