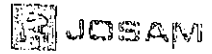


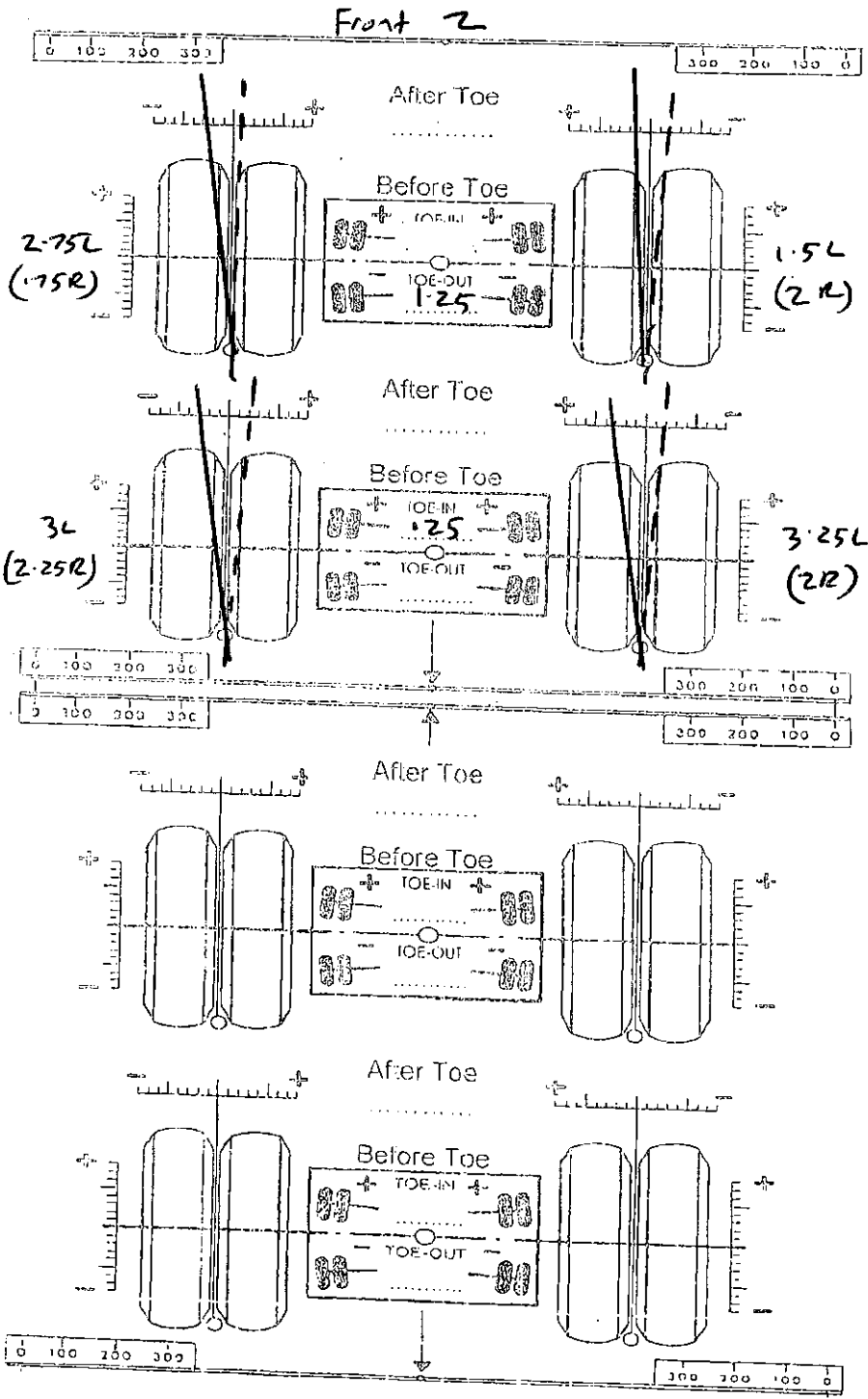
TRUCK STEERING SERVICES (2006) LTD

59 Aviation Avenue, Mount Maunganui 3116
 PO Box 4215, Mount Maunganui 3149
 Ph: 07 572 2450 or 027 282 8660
 trucksteering@xtra.co.nz

Job 4770



NAME: Dometts JOB NO: 2388 DATE: 6.6.14 SIGNED: [Signature]
 REG NO: ke-fwb TYPE: Fonterra 5 axle KMS: HUBO:



Camber	
Before	After
0.00	0.00

TYRE WEAR	
✓	

Camber	
Before	After
0.12	0.12

TYRE WEAR	
✓	

Camber	
Before	After
0.12	0.12

TYRE WEAR	
✓	

Camber	
Before	After
0.12	0.12

TYRE WEAR	
✓	

Camber	
Before	After
0.12	0.12

TYRE WEAR	
✓	

Camber	
Before	After
0.07	0.07

TYRE WEAR	
✓	

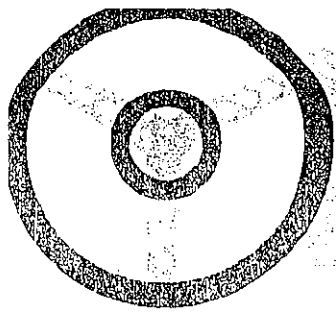
Camber	
Before	After
0.12	0.12

TYRE WEAR	
✓	

Camber	
Before	After
0.12	0.12

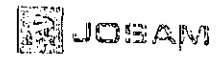
TYRE WEAR	
✓	

Job 4170



TRUCK STEERING SERVICES (2006) LTD

59 Aviallon Avenue Mount Maunganui 3116
PO Box 4215 Mount Maunganui 3149
PH: 07 572 2450 or 027 282 8660
trucksteering@xtra.co.nz



AME: Domatts JOB NO: 2309 DATE: 6.6.14 SIGNED: L-L
EG NO: Re-furb TYPE: Fonterra 5 axle KMS: - HUBO: -

Rear 3

Camber

Before	After
-1.0	0

TYRE WEAR

✓	
---	--

Camber

Before	After
0	0

TYRE WEAR

✓	
---	--

Camber

Before	After
0.2	0

TYRE WEAR

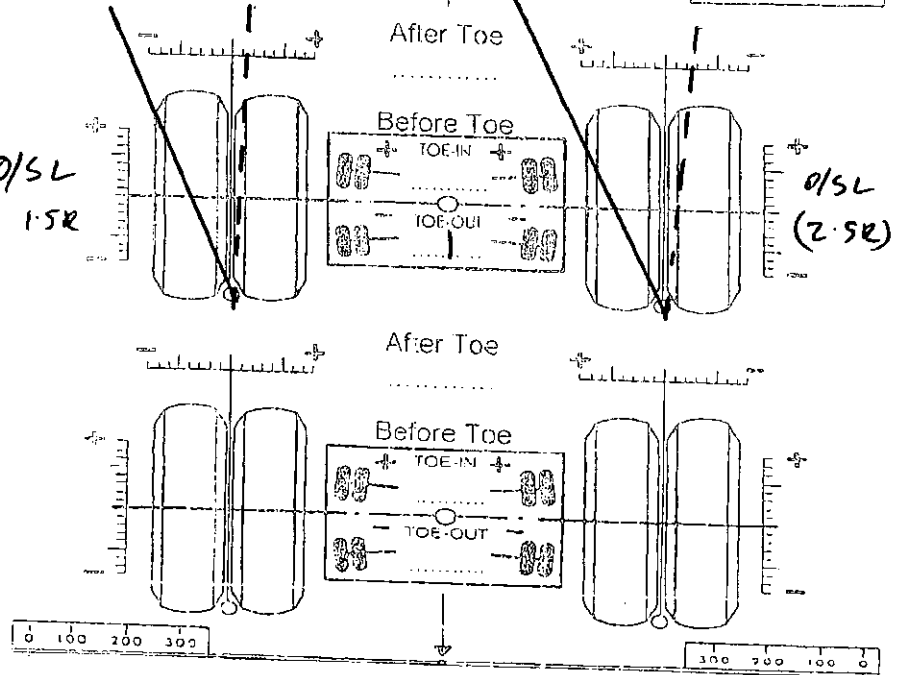
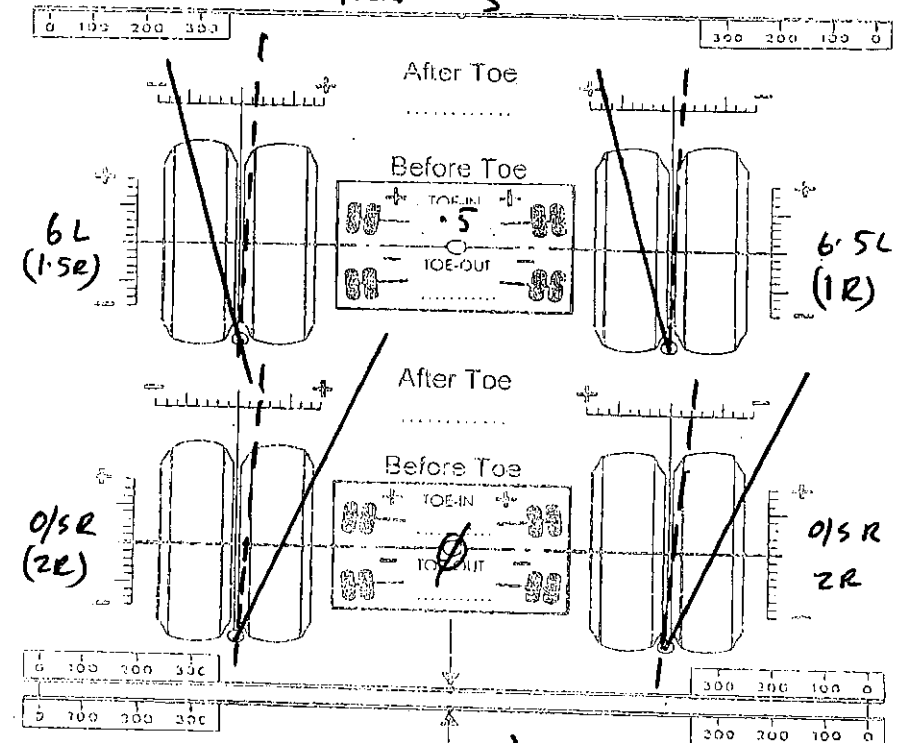
✓	
---	--

Camber

Before	After
0	0

TYRE WEAR

--	--



Camber

Before	After
0.2	0

TYRE WEAR

✓	
---	--

Camber

Before	After
0.10	0

TYRE WEAR

✓	
---	--

Camber

Before	After
0.05	0

TYRE WEAR

✓	
---	--

Camber

Before	After
0	0

TYRE WEAR

--	--