



Reg: ..... Type: 5 AXLE Kms: ..... Date: 29-11-73

Name: DOMETTS Inv No: 13586 Sign: .....

( ) Measurements before aligning

A <sub>1</sub>	156	141
B <sub>1</sub>	155	166
C <sub>3</sub>	4	-25
= D <sub>m</sub> 5 =		

CAMBER	
⊕	-25'

A <sub>1</sub>	160	175
B <sub>1</sub>	154	136
C <sub>5</sub>	6	-29
= D <sub>m</sub> 5 =		

CAMBER	
⊕	-25'

A <sub>1</sub>	155	140
B <sub>1</sub>	147	162
C <sub>3</sub>	8	-22
= D <sub>m</sub> 7 =		

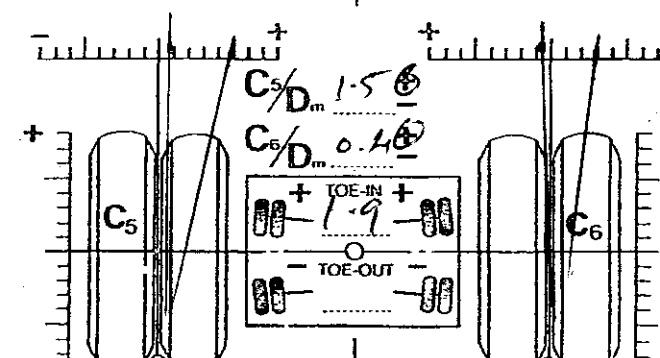
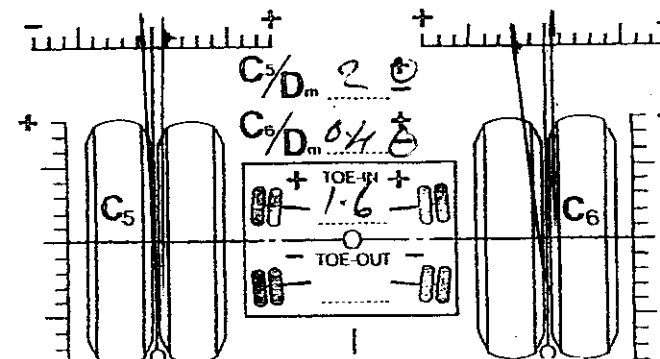
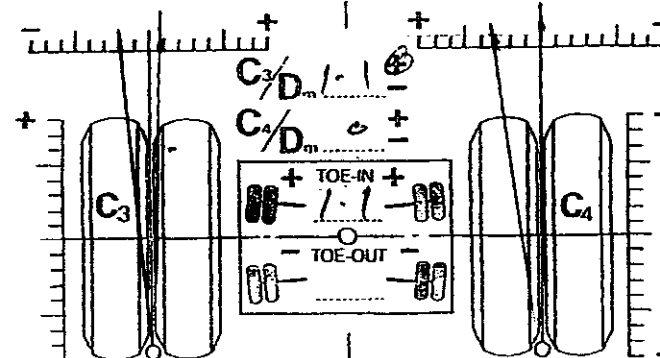
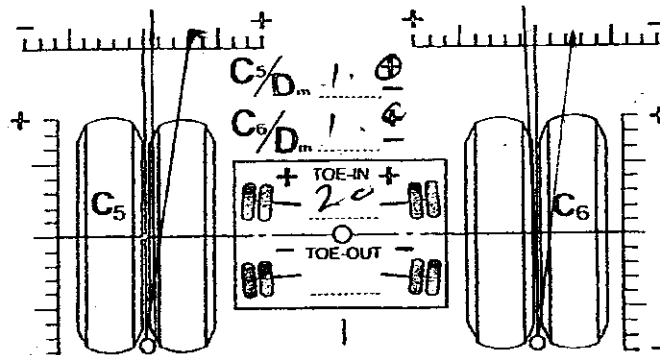
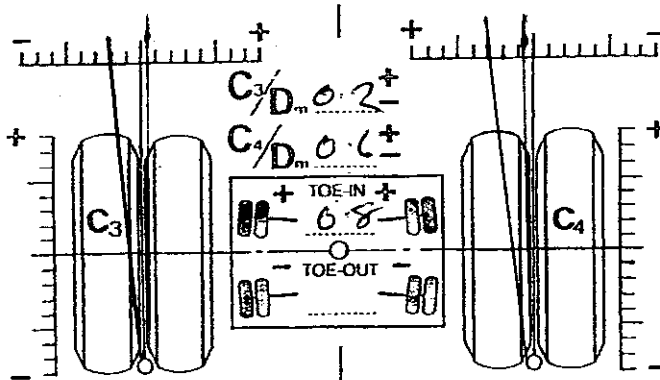
CAMBER	
⊕	-30'

A <sub>1</sub>	155	140
B <sub>1</sub>	140	148
C <sub>5</sub>	15	-8
= D <sub>m</sub> 7 =		

CAMBER	
⊕	-25'

A <sub>1</sub>	158	190
B <sub>1</sub>	148	140
C <sub>5</sub>	10	-30
= D <sub>m</sub> 7 =		

CAMBER	
⊕	-25'



170	158	A <sub>2</sub>
140	151	B <sub>2</sub>
-30		
= D <sub>m</sub> 5 =		

CAMBER	
⊕	-35'

138	158	A <sub>2</sub>
146	152	B <sub>2</sub>
-28		
= D <sub>m</sub> 5 =		

CAMBER	
⊕	-25'

176	160	A <sub>2</sub>
146	147	B <sub>2</sub>
-36		
= D <sub>m</sub> 7 =		

CAMBER	
⊕	-15'

175	160	A <sub>2</sub>
155	162	B <sub>2</sub>
-30		
= D <sub>m</sub> 7 =		

CAMBER	
⊕	-36'

130	162	A <sub>2</sub>
166	158	B <sub>2</sub>
-31		
= D <sub>m</sub> 7 =		

CAMBER	
⊕	-30'