



TRANSPORT MAINTENANCE

Corner 3rd Avenue & Glasgow Street - PO Box 2270 - Tauranga 3140

Job 40755

1194

Phone: (07) 577 9895

Fax: (07) 578 8249

Email: tmt3@extra.co.nz

o/n 4075

Reg: Type: B Train Front Kms: Date: 10.10.13

2310/1

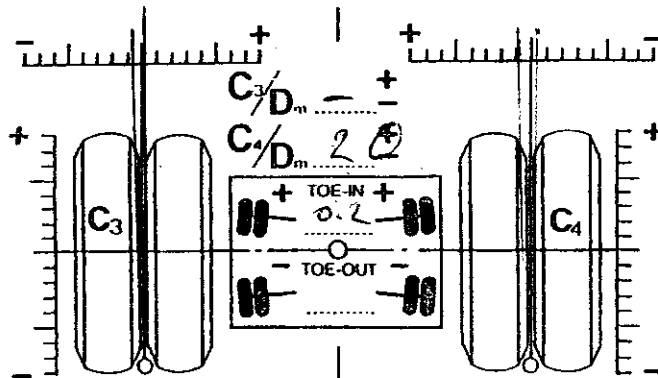
Name: Demmett Inv No: 13344 Sign:

() Measurements before aligning

A ₁	150	140
B ₁	850	115
C ₃	± 0	D _m 9 =

CAMBER

+
-



145	134	A ₂
125	132	B ₂
± 10		D _m 9 = 8.2 C ₄

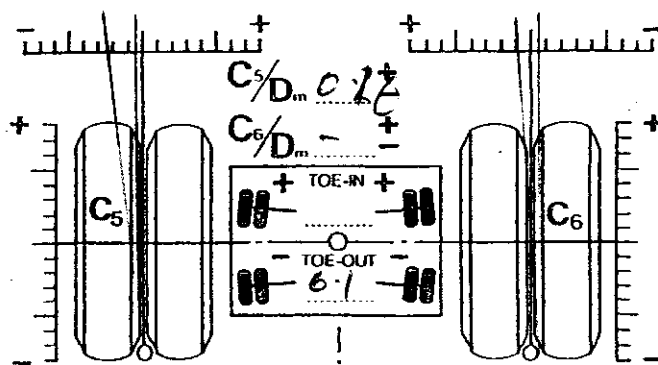
CAMBER

+
-

A ₁	142	126
B ₁	1411	151
C ₅	± 2	D _m 9 =

CAMBER

+
-



155	179	A ₂
130	139	B ₂
± 25		D _m 9 = ± - C ₆

CAMBER

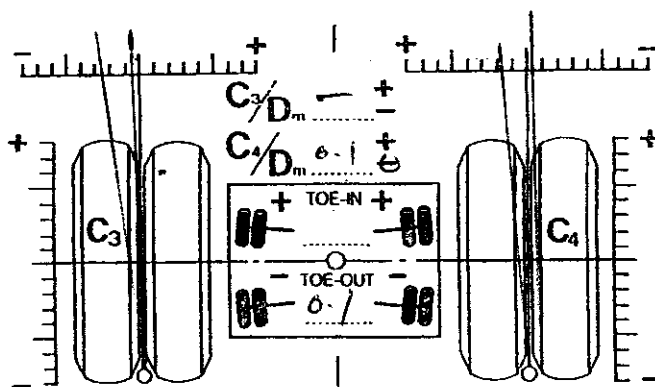
+
-



A ₁	141	120
B ₁	142	146
C ₃	± -	D _m 9 =

CAMBER

+
-



160	138	A ₂
138	139	B ₂
± 2		D _m 9 = ± 1 C ₄

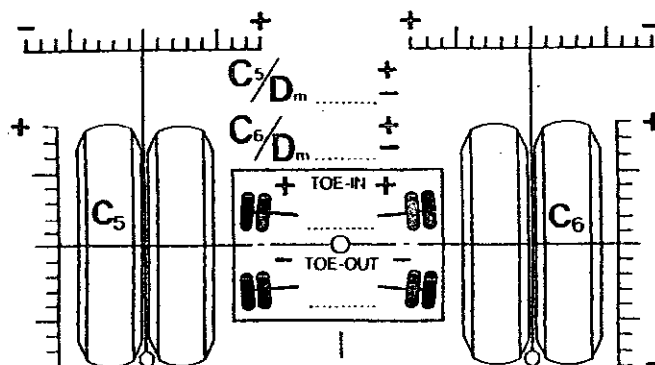
CAMBER

+
-

A ₁		
B ₁		
C ₅	±	D _m =

CAMBER

+
-



		A ₂
		B ₂
		D _m = ± C ₆

CAMBER

+
-



TRANSPORT MAINTENANCE

Corner 3rd Avenue & Glasgow Street - PO Box 2270 - Tauranga 3140

Phone: (07) 577 9895

Fax: (07) 578 8249

Email: tmt3@xtra.co.nz

Job 4075

chassis: 23195

order: 4075

Reg: Type: 3 axle SAF Kms: Date: 11-10-13

Name: Domett Inv No: 13350 Sign: [Signature]

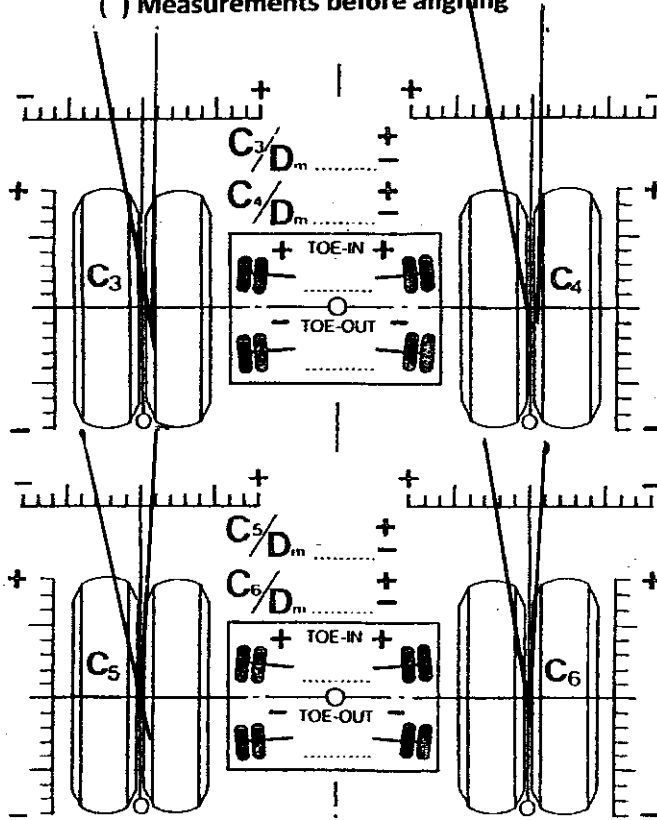
() Measurements before aligning

A ₁	140	132
B ₁	137	142
C ₃ ± 3 : D _m 6 =		

CAMBER	
+	15'
-	

A ₁	142	132
B ₁	138	141
C ₅ ± 4 : D _m 6 =		

CAMBER	
+	20'
-	



143	135	A ₂
132	138	B ₂
- D _m 6 : ± 3 C ₄		

CAMBER	
+	15'
-	

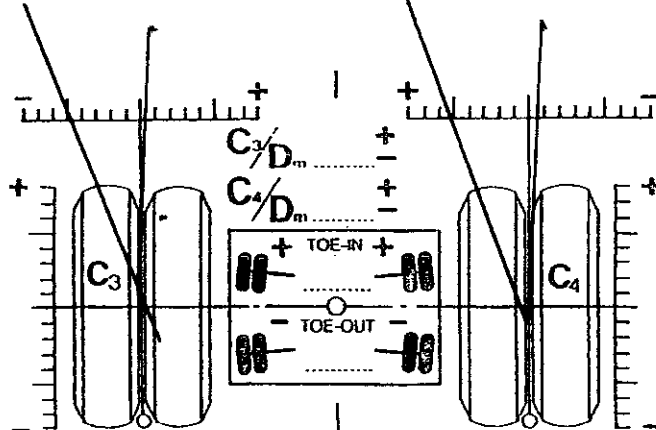
148	138	A ₂
136	140	B ₂
- D _m 6 : ± 2 C ₆		

CAMBER	
+	20'
-	



A ₁	132	72
B ₁	130	152
C ₃ ± 2 : D _m 6 =		

CAMBER	
+	15'
-	

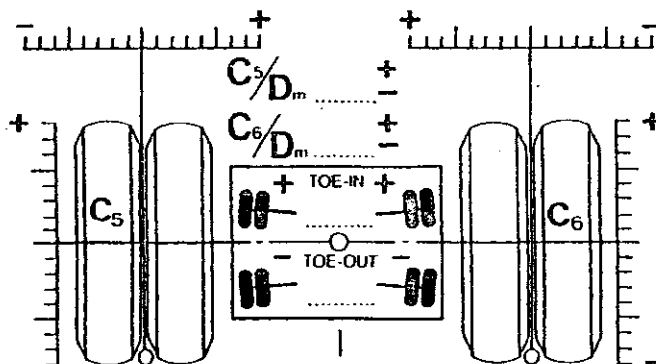


202	160	A ₂
124	163	B ₂
- D _m 6 : ± 3 C ₄		

CAMBER	
+	15'
-	

A ₁		
B ₁		
C ₅ ± : D _m =		

CAMBER	
+	
-	



		A ₂
		B ₂
- D _m : ± C ₆		

CAMBER	
+	
-	

4076