



Reg: Type: 5 AXLE Trailer Kms: Date: 6.9.13

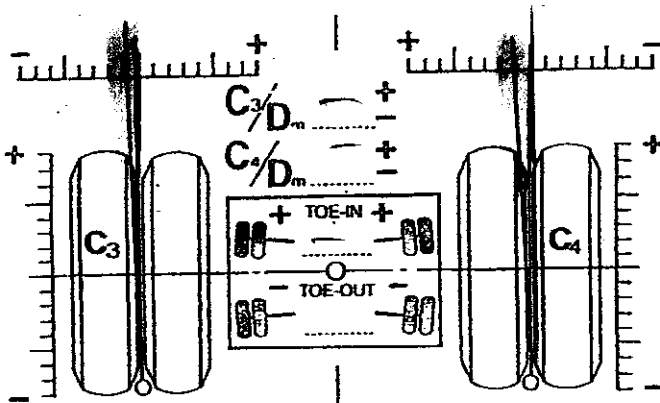
Name: DDMETTS Inv No: 13200 Sign:

() Measurements before aligning

27189

A ₁	140	140
B ₁	140	143
C ₃	+ - : D _m 5 =	

CAMBER	
+	25
-	

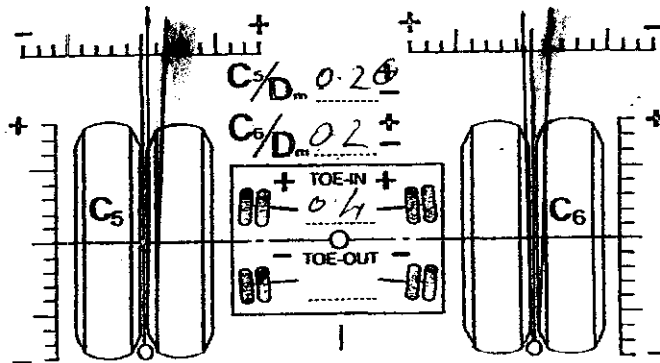


145	141	A ₂
140	142	B ₂
= D _m 5 : + - C ₄		

CAMBER	
+	35
-	

A ₁	146	150
B ₁	139	140
C ₅	+ 1 : D _m 5 =	

CAMBER	
+	35
-	

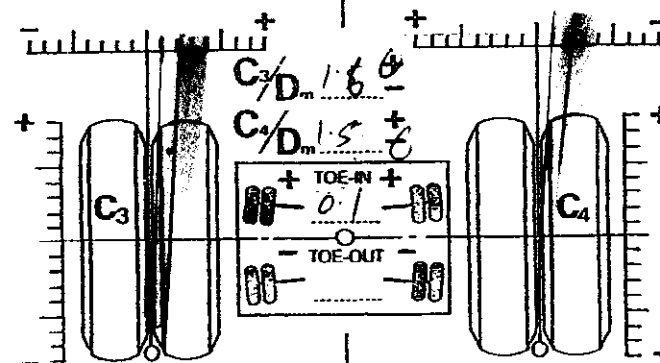


142	141	A ₂
140	140	B ₂
= D _m 5 : 0 1 C ₆		

CAMBER	
+	20
-	

A ₁	149	152
B ₁	138	140
C ₃	+ 11 : D _m 5 =	

CAMBER	
+	35
-	

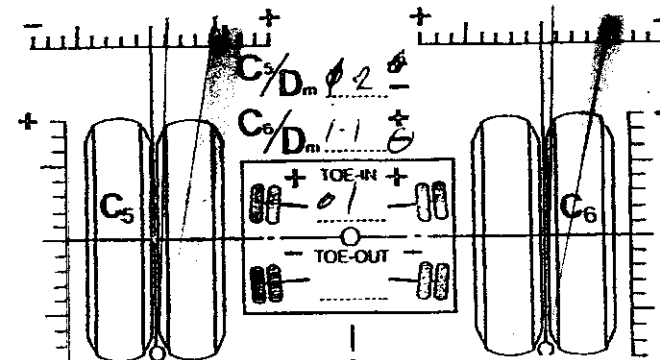


142	178	A ₂
150	150	B ₂
= D _m 8 : + 12 C ₄		

CAMBER	
+	15
-	

A ₁	150	175
B ₁	140	148
C ₅	+ 10 : D _m 8 =	

CAMBER	
+	25
-	

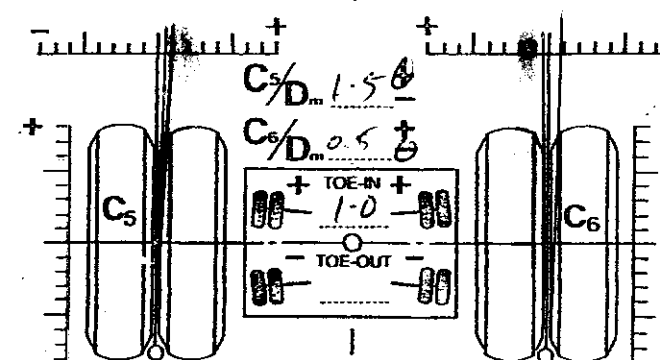


148	139	A ₂
148	148	B ₂
= D _m : + 9 C ₆		

CAMBER	
+	25
-	

A ₁	148	140
B ₁	136	142
C ₅	+ 12 : D _m 8 =	

CAMBER	
+	25
-	



152	148	A ₂
145	145	B ₂
= D _m 8 : + 3 C ₆		

CAMBER	
+	30
-	