



23154

Reg: Type: Saxle SAF. 9/2/063 Kms: Date: 10-9-13

Name: Dometts Inv No: 13214

Sign: [Signature]

() Measurements before aligning

A ₁	145	148
B ₁	142	142
C ₃	13	13

$D_m 6 =$

CAMBER
$\oplus 10'$

A ₁	150	168
B ₁	143	139
C ₅	7	129

$D_m 6 =$

CAMBER
$\oplus 10'$

A ₁	145	127
B ₁	132	162
C ₃	13	35

$D_m 6 =$

CAMBER
$\oplus 10'$

A ₁	139	161
B ₁	148	124
C ₅	9	37

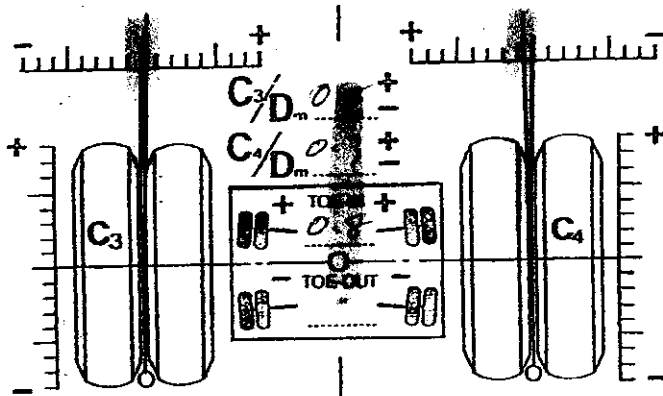
$D_m 6 =$

CAMBER
$\oplus 16'$

A ₁	150	115
B ₁	142	151
C ₅	6	36

$D_m 6 =$

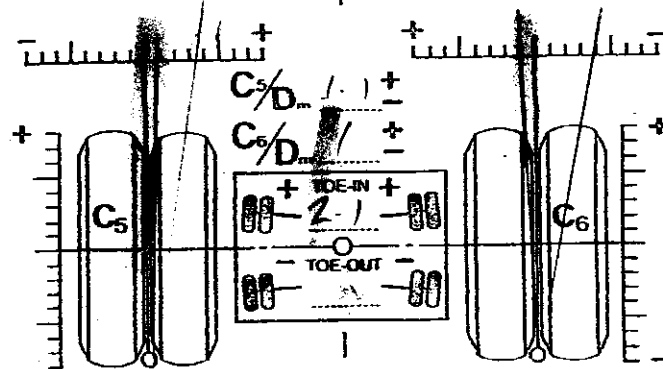
CAMBER
$\oplus 20'$



140	134	A ₂
12	14	B ₂

$D_m 6 = 2$

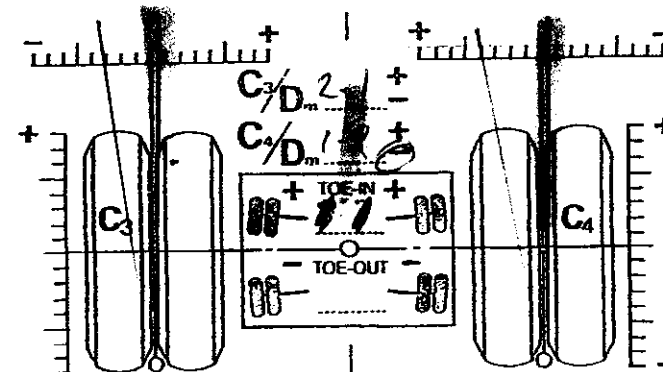
CAMBER
$\oplus 10'$



126	147	A ₂
115	14	B ₂

$D_m 6 = 6$

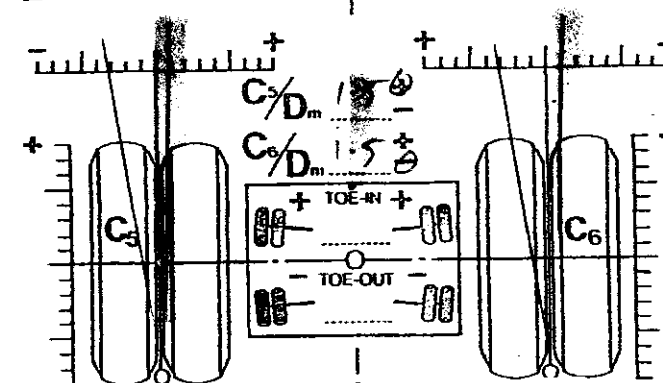
CAMBER
$\oplus 20'$



161	140	A ₂
120	140	B ₂

$D_m 6 = 8$

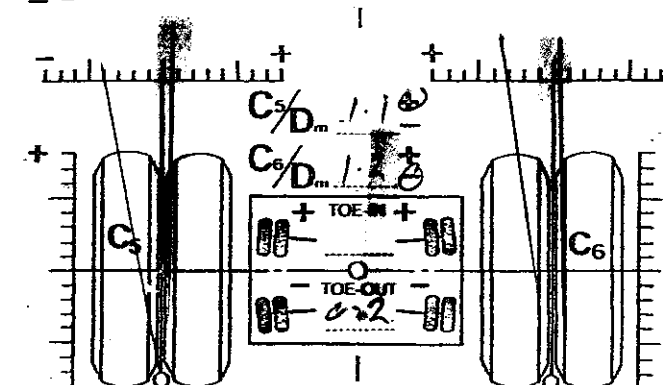
CAMBER
$\oplus 20'$



122	139	A ₂
157	170	B ₂

$D_m 6 = 9$

CAMBER
$\oplus 20'$



172	131	132 A ₂
141	141	B ₂

$D_m 6 = 8$

CAMBER
$\oplus 20'$