

ON# 3969

Cnr 3rd Ave & Glasgow St, Tauranga
271397

PO Box 2270
Ph. (07) 577 9895
Fax (07) 578 8249

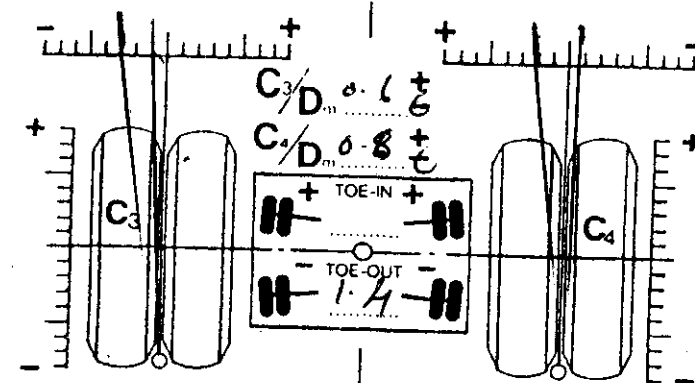
Reg.nr Type Queue Miles/Km Date 4-6-13
Name DEMET Inv.nr. 12535 Sign.

A ₁	170	140
B ₁	162	188
C ₃	± 8	:D _m 11 =

CAMBER	
+	- 20'

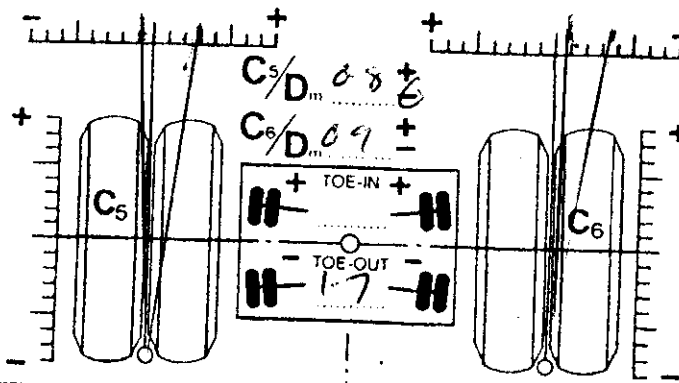
A ₁	162	183
B ₁	172	160
C ₅	± 10	:D _m 11 =

CAMBER	
+	- 15'



174	150	A ₂
142	166	B ₂
132		
=D _m 14		± 10 C ₄

CAMBER	
+	- 15'



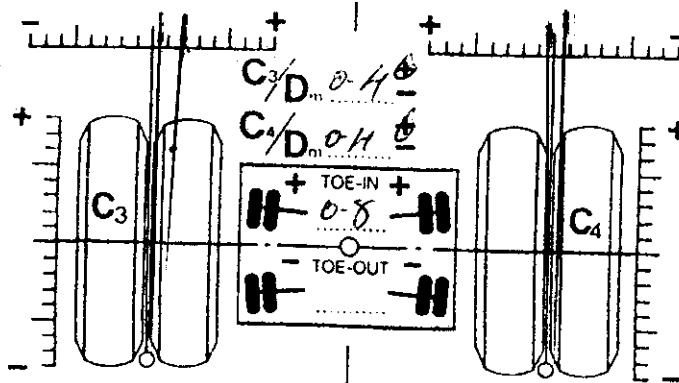
130	140	A ₂
165	156	B ₂
35		
=D _m 14		± 11 C ₆

CAMBER	
+	- 15'



A ₁	170	140
B ₁	167	160
C ₃	± 6	:D _m 11 =

CAMBER	
+	- 15'



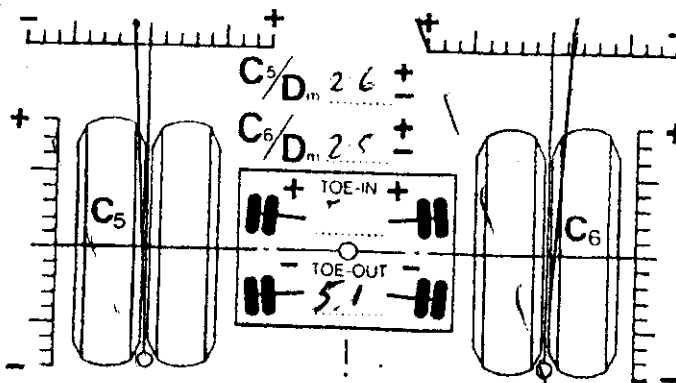
147	160	A ₂
160	154	B ₂
23		
=D _m 11		± 6 C ₄

CAMBER	
+	- 20'

A ₁	138	
B ₁	165	
C ₅	± 7.5	:D _m 11 =

CAMBER	
+	-

M seal



125	A ₂
158	B ₂
=D _m 14	
± 33 C ₆	

CAMBER	
+	-

M seal