

Cnr 3rd Ave & Glasgow St, Tauranga

Job 3943 PO Box 2270

c/n 23114

Ph. (07) 577 9895

o/n 3943

Fax (07) 578 8249

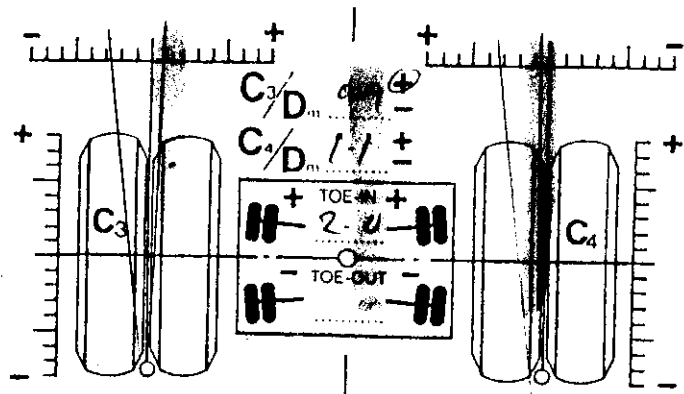
Reg.nr _____ Type *Light Truck* Miles/Km _____ Date *14-12-12*

Name *ROMETT* Inv. no. *12182* Sign. _____

727
166
-33

A ₁	150
B ₁	144
C ₃	$\oplus 6$:D _m 7 =

CAMBER	
\oplus	26



173
127
-56

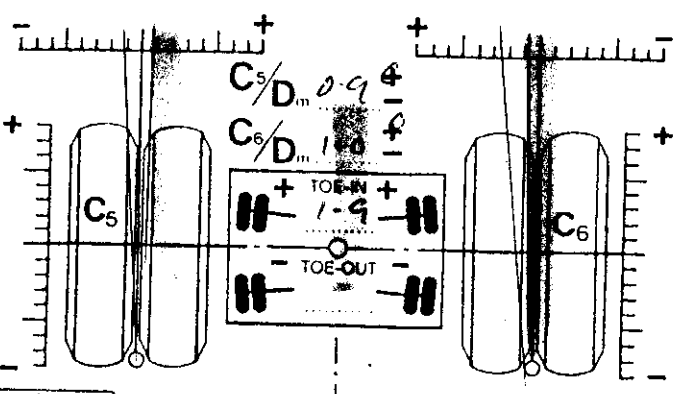
A ₂	148
B ₂	142
C ₄	$\ominus 8$:D _m 7 =

CAMBER	
\oplus	20

140
147
-7

A ₁	151
B ₁	145
C ₅	$\oplus 6$:D _m 7 =

CAMBER	
\oplus	15



166
141
-25

A ₂	152
B ₂	145
C ₆	$\ominus 7$:D _m 7 =

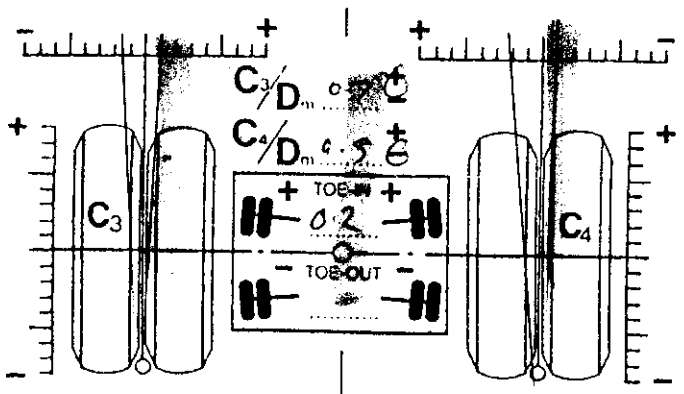
CAMBER	
\oplus	20



137
162
-19

A ₁	150
B ₁	145
C ₃	$\oplus 5$:D _m 6 =

CAMBER	
\oplus	28



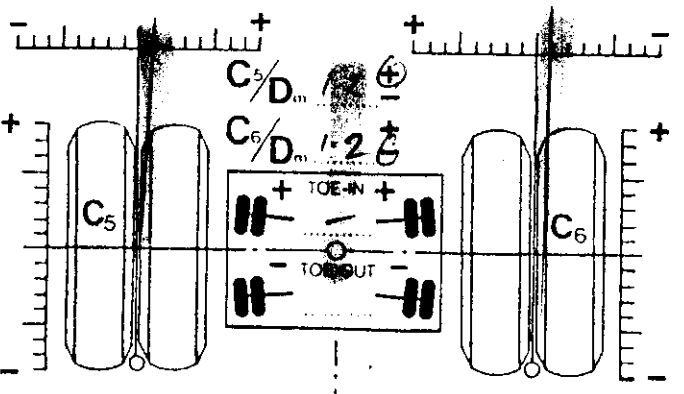
152
124
+28

A ₂	140
B ₂	144
C ₄	$\ominus 6$:D _m 6 =

CAMBER	
\oplus	11

A ₁	152
B ₁	144
C ₅	$\oplus 8$:D _m 6 =

CAMBER	
\oplus	20



140
148

A ₂	140
B ₂	148
C ₆	$\oplus 8$:D _m 6 =

CAMBER	
\oplus	20