

# Transport Maintenance (3rd Ave) Ltd.

~~16424~~  
~~15020~~  
 chassis: 23042  
 order: 3879  
 5 axle

Job 3879

PO Box 2270  
 Ph. (07) 577 9895  
 Fax (07) 578 8249

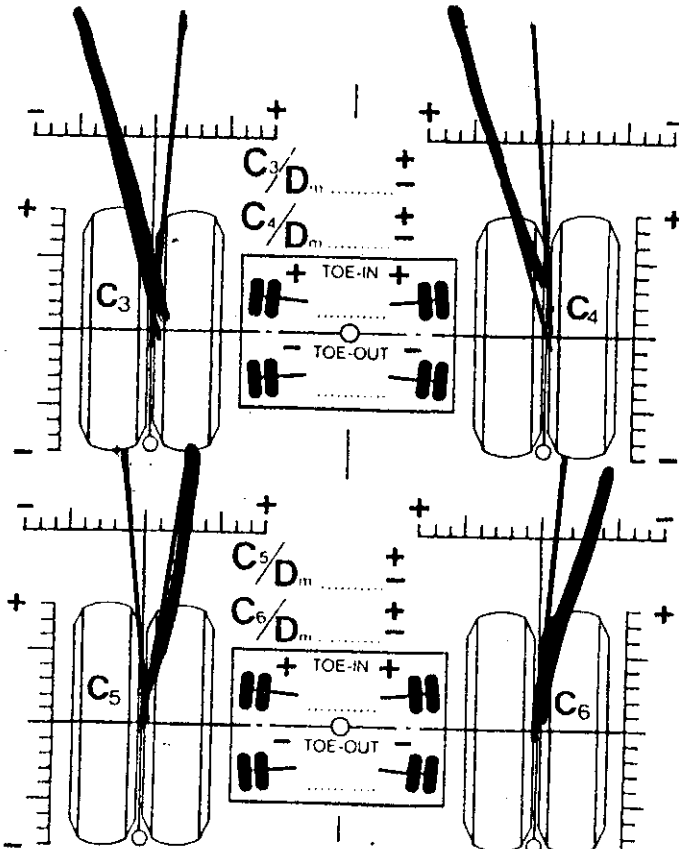
Reg.nr ..... Type 5 axle Miles/Km ..... Date 9-10-12  
 Name Dometts Inv.nr. 11827 Sign. JPH

A <sub>1</sub>	138	<del>130</del>
B <sub>1</sub>	137	<del>150</del>
C <sub>3</sub>	⊕ 5 : D <sub>m</sub> 4 =	

CAMBER  
 ⊕ 15'

A <sub>1</sub>	130	<del>148</del>
B <sub>1</sub>	135	<del>130</del>
C <sub>5</sub>	⊕ 5 : D <sub>m</sub> 4 =	

CAMBER  
 ⊕ 15'



<del>150</del>	135	A <sub>2</sub>
<del>140</del>	130	B <sub>2</sub>
= D <sub>m</sub> 4 : ⊕ 5 C <sub>4</sub>		

+

CAMBER  
 ⊕ 20'

<del>138</del>	125	A <sub>2</sub>
<del>135</del>	130	B <sub>2</sub>
= D <sub>m</sub> 4 : ⊕ 5 C <sub>6</sub>		

+

CAMBER  
 ⊕ 15'

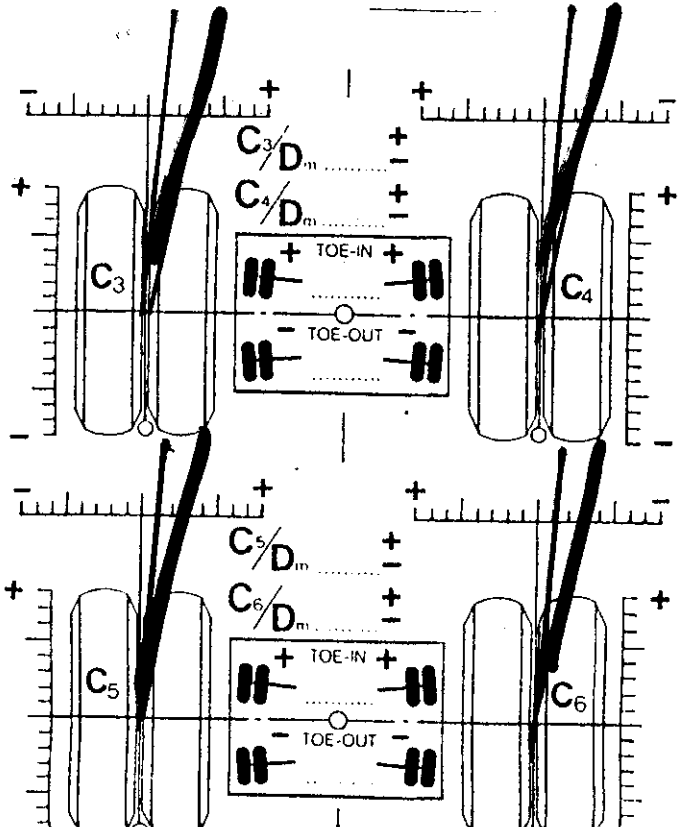


A <sub>1</sub>	165	<del>170</del>
B <sub>1</sub>	160	<del>155</del>
C <sub>3</sub>	⊕ 5 : D <sub>m</sub> 5 =	

CAMBER  
 ⊕ 20'

A <sub>1</sub>	172	<del>180</del>
B <sub>1</sub>	165	<del>155</del>
C <sub>5</sub>	⊕ 7 : D <sub>m</sub> 5 =	

CAMBER  
 ⊕ 20'



<del>135</del>	139	A <sub>2</sub>
<del>150</del>	145	B <sub>2</sub>
= D <sub>m</sub> 5 : ⊕ 6 C <sub>4</sub>		

+

CAMBER  
 ⊕ 15'

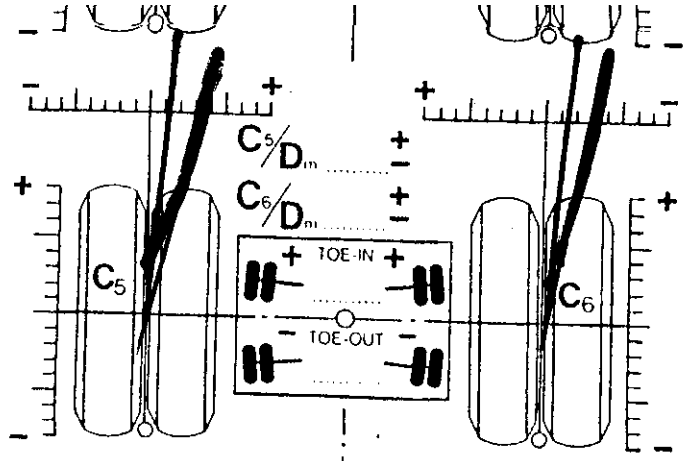
<del>138</del>	148	A <sub>2</sub>
<del>135</del>	155	B <sub>2</sub>
= D <sub>m</sub> 5 : ⊕ 7 C <sub>6</sub>		

+

CAMBER  
 ⊕ 20'

A <sub>1</sub>	172	<del>172</del> +40
B <sub>1</sub>	165	
C <sub>5</sub>	⊕ 7 : D <sub>m</sub> 5 =	

CAMBER  
⊕ 15'



<del>145</del>	145	A <sub>2</sub>
<del>153</del>	153	B <sub>2</sub>
<del>-36</del>	= D <sub>m</sub> 5	88 C <sub>6</sub>

+  
-  
.....

CAMBER  
⊕ 15'