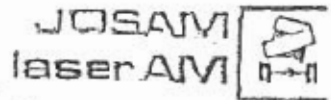


WHEEL ALIGNMENT REPORT FROM:

TRUCK STEERING SERVICES (2006) LTD



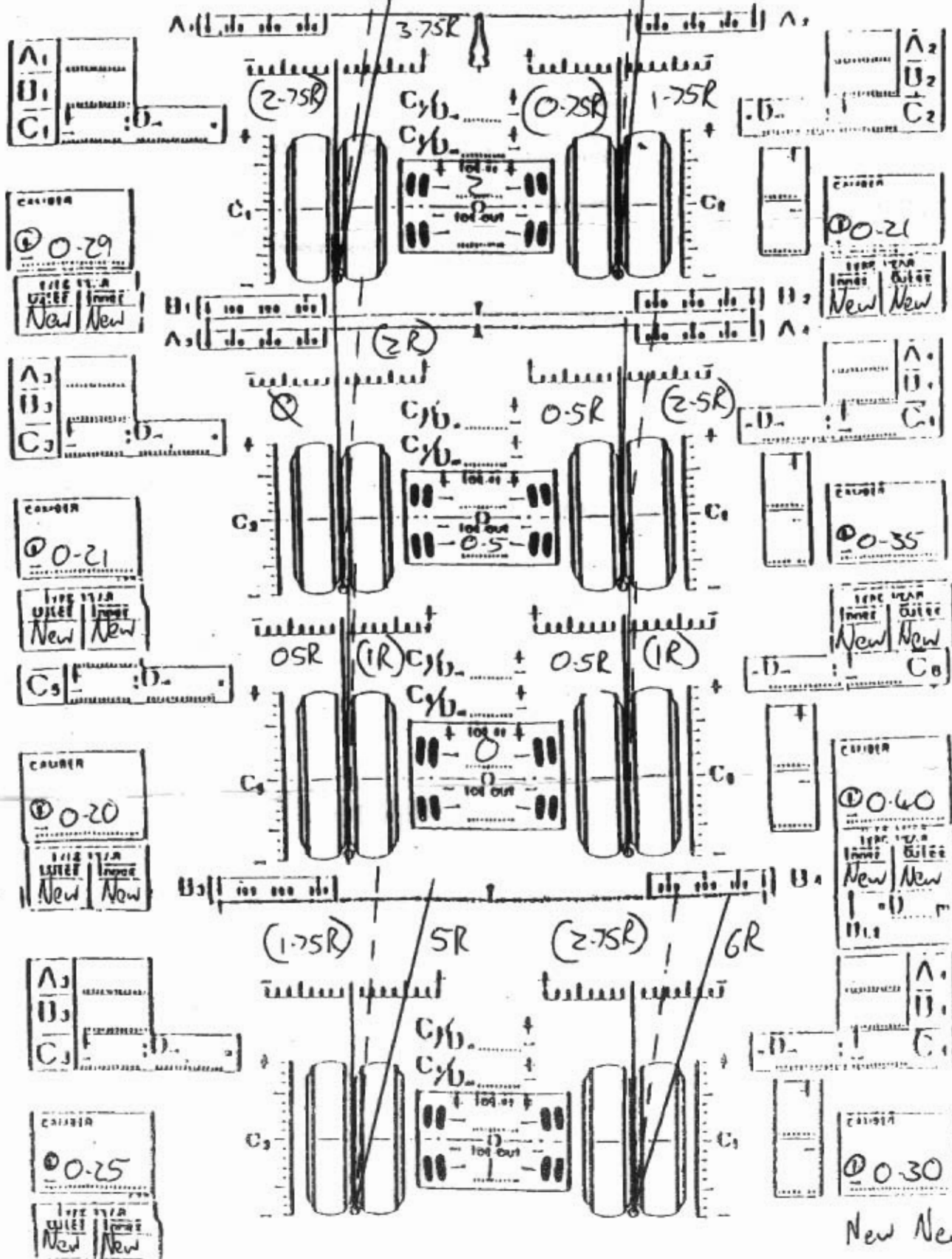
59 AVIATION AVENUE, MOUNT MAUNGANUI

Job # 3289

PHONE: (07) 572 2450 FAX: (07) 572 2450 MOBIL: 027 282 8660

NAME Domett Trailers JOB NO 513 DATE: 4-9-9 SIGNED: [Signature]

REG. NO: TYPE 4 axle Fonterra Trailer MILES/KMS HUB



New New