

BPW Axle & Suspension

First Service Inspection AL II with 70mm Trailing Arm



To be performed within the first 2500 km.

DATE:	BUILDER: <i>DOMETT</i>
OPERATOR: <i>TALLEYS</i>	REG. NO(s)
TYPE (circle) Dog / Semi / Tri / Quad	KMS:
Flat deck / Curtainsider / Tipper / Tanker / Other	Hubo Serial No(s):
	V.I.N Number

AXLE SERIAL NUMBER(S): 1st: *113849003* 2nd: *113849042* 3rd: *113849084*
(located on axle ID tag, see picture overleaf) 4th: 5th: 6th:

SUSPENSION SERIAL NUMBER(S): Front: *TE* Rear: *TE 2266*

ITEM	CHECK	✓
------	-------	---

SUSPENSIONS

1. U-Bolts	Re torque - 550 Nm THIS FUNCTION IS CRITICAL FOR THE SERVICE LIFE OF THE SUSPENSION	
2. Pneumatic system	Check operation of airbag pneumatic system and that it is piped correctly (refer assembly instructions) Check for air leaks and rectify if necessary.	
3. Ride height valve	Check linkage arrangement (see diagram over page) Ensure trailer air supply is connected and brakes are released. Check ride height is at manufacturers recommendation and record.	mm
4. Spring eye bolt	Re torque - with 30mm bolts (46mm hex size) 990 Nm Re torque - with 24mm bolts (36mm hex size) 650 Nm (when suspension is at correct ride height)	
5. Shock absorber	Re torque - 420 Nm Check Webbing Sling is installed correctly (see diagram over page)	
6. Air bags	Re torque airbag fastener Upper lid 66 Nm Lower lid 230 Nm	

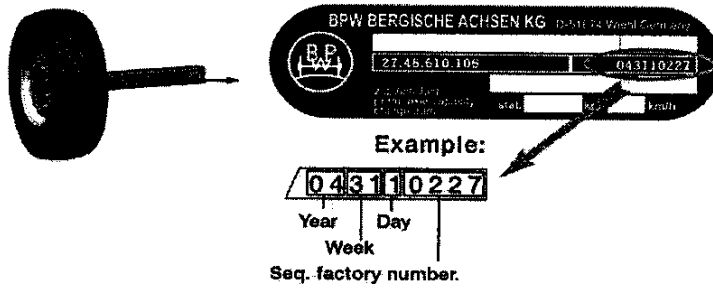
AXLES

7. Hub Bearing	Check for hub bearing play. Adjust if necessary.	
8. Check Wheel Nuts	Check wheel nut torques: 640 Nm	
9. Brakes - Drum	Check brake adjustment. Adjust if necessary. Check slack adjuster return springs are in place	
10. Brakes - Disc	Check self adjuster cap is in place. (see maintenance manual) Check all Bottom Bungs are removed from Brake Chambers	

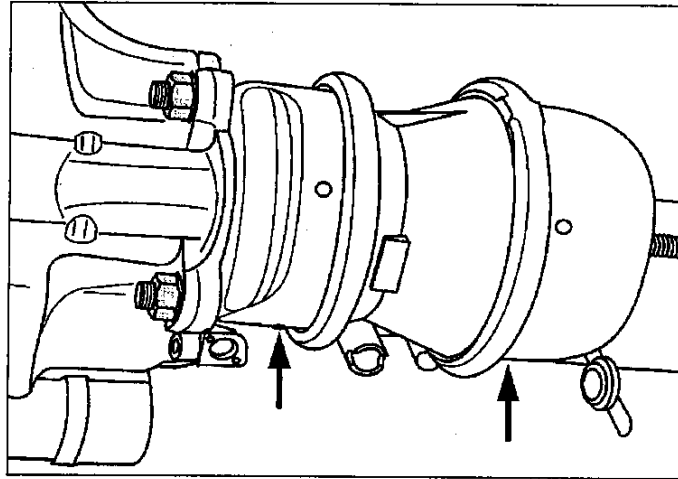
DEFECTS / REMARKS / ACTION

COMPLETED BY (MECHANIC)	NAME OF FIRM
SUPERVISED BY (FOREMAN)	ADDRESS

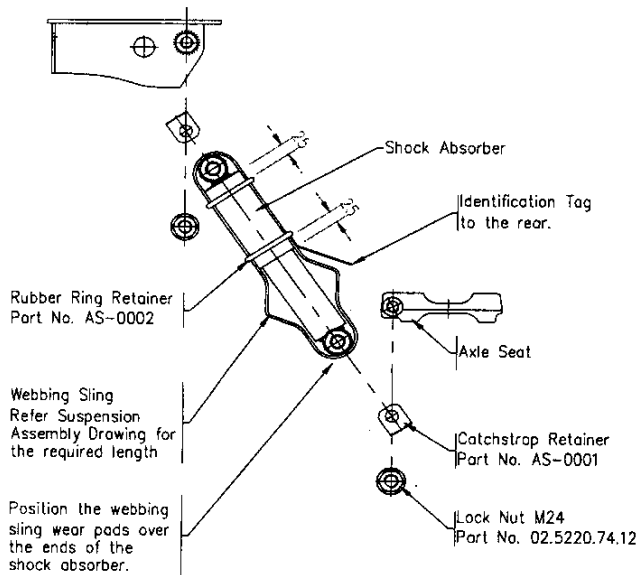
Axle ID Tag



Removal of brake chamber bungs



Webbing sling installation



Ride Height Measurement Centre of axle to underside of chassis

