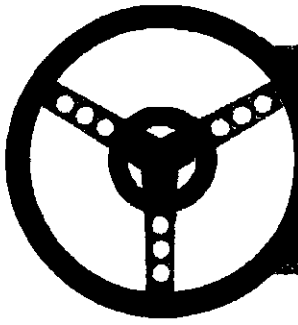


3669



# TRUCK STEERING SERVICES (2006) LTD

JOSAM

NAME: DOMETS TRAILERS JOB NO: 1209 DATE: 6/10/11 SIGNED: RJ

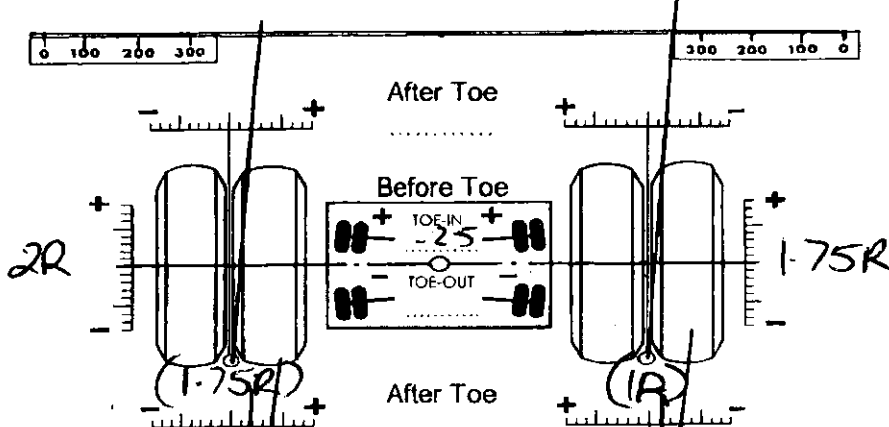
REG NO: S968J TYPE: 5 AXLE TRAILER KMS:        HUBO: 10

**Camber**

Before	After
+ $\phi$	+ .....
- .....	- .....

TYRE WEAR

NEW	NEW
-----	-----



**Camber**

Before	After
+ $\phi$	+ .....
- .....	- .....

TYRE WEAR

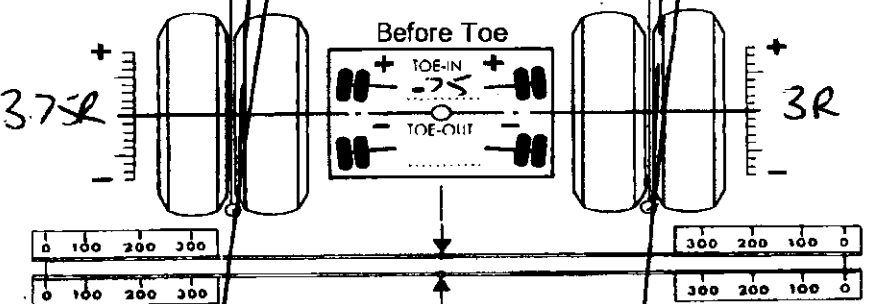
NEW	NEW
-----	-----

**Camber**

Before	After
+ $\phi$ 002	+ .....
- .....	- .....

TYRE WEAR

NEW	NEW
-----	-----



**Camber**

Before	After
+ $\phi$ 005	+ .....
- .....	- .....

TYRE WEAR

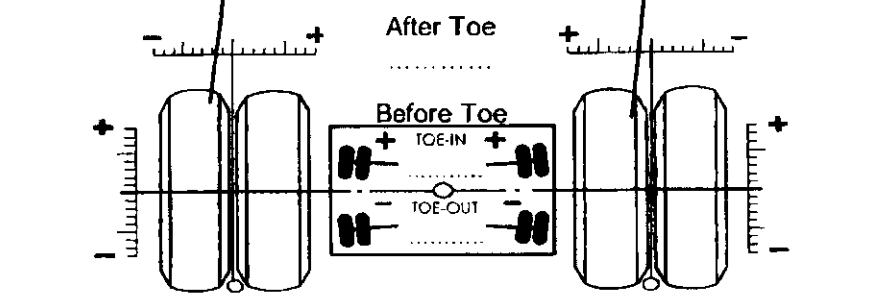
NEW	NEW
-----	-----

**Camber**

Before	After
+ .....	+ .....
- .....	- .....

TYRE WEAR

.....	.....
-------	-------



**Camber**

Before	After
+ .....	+ .....
- .....	- .....

TYRE WEAR

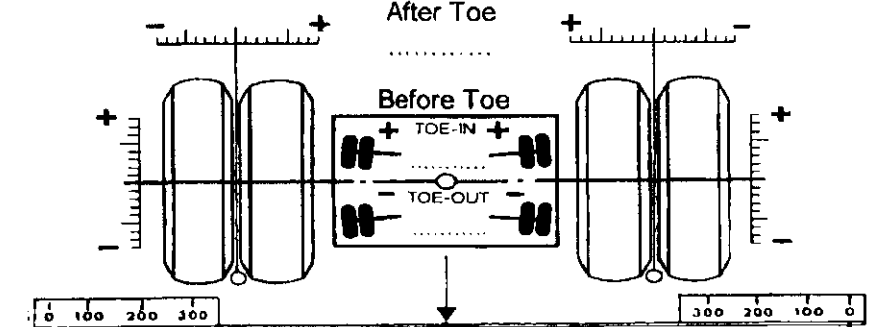
.....	.....
-------	-------

**Camber**

Before	After
+ .....	+ .....
- .....	- .....

TYRE WEAR

.....	.....
-------	-------

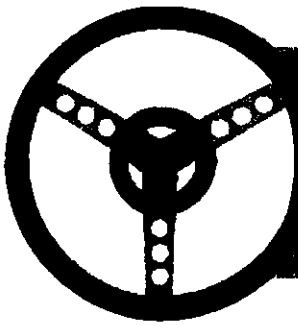


**Camber**

Before	After
+ .....	+ .....
- .....	- .....

TYRE WEAR

.....	.....
-------	-------



# TRUCK STEERING SERVICES (2006) LTD



NAME: DOMETS TRAILERS JOB NO: 1209 DATE: 6.10.11 SIGNED: R  
 REG NO: S968 TYPE: SAXE TRAILER KMS: - HUBO: 10

